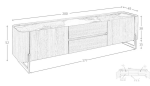
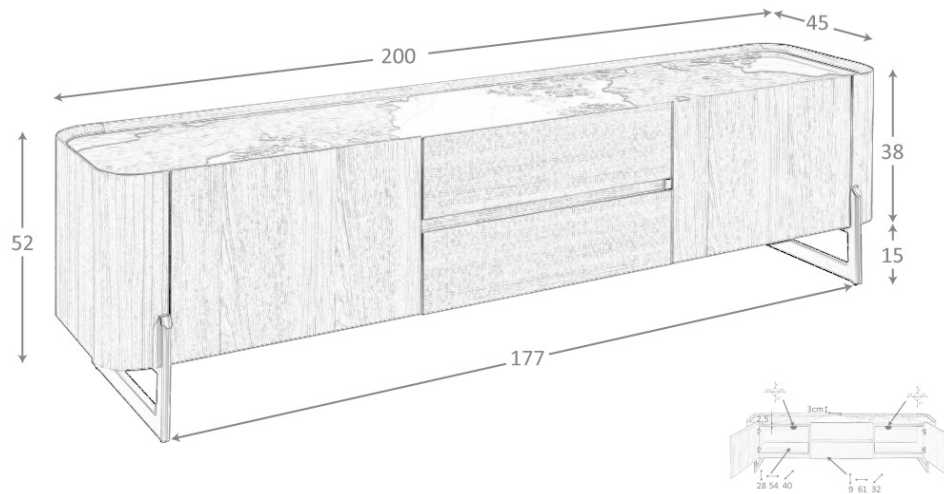




3250




200 x 45 x 52 cm
82 Kg
0,55 m3

 208 x 53 x 45 cm

 82 Kg

 54 x 31 x 11 cm

 3 Kg

