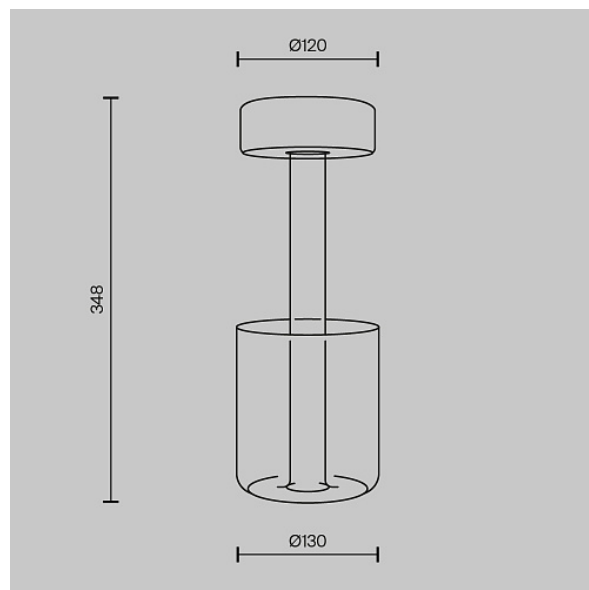


Battery lamp AI Collaboration 3W

Series: AI Collaboration Article: MOD229TL-L3B3K3

Article	MOD229TL-L3B3K3
Brand	Maytoni
Collection	Modern
Series	AI Collaboration
Product type	Battery lamp
Fitting color	Grey
Fitting material	Glass
IP protection	IP 20
Dimmable	Yes
Height	348
Color rendering index	82
Scattering angle	120
Minimum color temperature	2200
Maximum color temperature	4000
Voltage	AC 220-240
Diameter	120
Protection level	Class3
Warranty	3
Power	3
Volume	0.0123
Lamps included	No
Light flux	120
Mounting bowl	No
Chain	No
Base	Yes



Base diameter	130
Dome lamp switch	No
Energy efficiency class	G
Fireproof	No
Dyed	No
Lampshade	Yes
Packing length	380
Net	0.66
Gross	1.02