

SOTTO LUCE®

ABOUT THE SOTTO LUCE BRAND

For more than 17 years now, Sotto Luce branded light fittings have been celebrated all over Europe for their style, geometric proportions and modern look. Although we insist on traditional manufacturing methods to ensure the highest level of product quality, our innovative designs have always remained on the very cutting-edge of home décor trends.

Here at Sotto Luce, our philosophy can be summed up in one word: people. We value the skills and craft of our employees and seek to meet the needs and desires of our customers. That is why Sotto Luce is so widely and justifiably renowned for its hand-blown and hand-decorated glass-shades, its hand-made textile shades, as well as the metal hardware produced on manually operated machines. All Sotto Luce products are made in Europe, and their components are provided exclusively by trusted European suppliers.

Sotto Luce was also probably the first lighting brand to launch a 100% customisable lighting collection. Our customers are able to freely configure their own fittings by combining a variety of glass-shade colours, coloured cables, and metal hardware finishes.



CORE VALUES OF THE SOTTO LUCE BRAND

DISTINCTIVE

SOTTO LUCE **Momo** and then **Awa** and **Myoo** pendant light fittings became **Distinguished Products** of the Prodeco Product Design competitions launched by **Elle Decoration** in 2006 and 2008 respectively.

TIMELESS

For 17 years, Sotto Luce products have been **admired all over Europe** for their **style, elegant proportions** and **modern look**.

TRENDSETTING

In **2007**, all Sotto Luce product families were turned into 100% customisable lighting collections with a choice of coloured fabric cable cords. In **2010**, at the Light + Building fair in Frankfurt, we presented two Momo-Design product series hand-decorated with gold and silver leaves. In **2011** we added copper finish which became an absolute must-have 3 years later. In 2011 we launched our minimalist white-zinc plated BI pendant light.

VALUING PEOPLE, CRAFTS AND SKILLS

Sotto Luce is renowned for:

- glass-shades and hardware that is **hand-decorated** using advanced metal leafing techniques,
- **hand-made** textile shades,
- **hand-blown glass** shades,
- metal **hardware that is hand-produced** using manual turning, spinning and stamping machines,
- **hand-assembled** products,
- its products are **100% made in Europe**.

QUALITY-ORIENTED

All the components used in Sotto Luce products are sourced exclusively from trusted **European suppliers**.

PERSONAL AND INNOVATIVE

Sotto Luce was probably the first lighting brand to launch a **100% customisable lighting collection**, enabling customers to freely configure their own fittings by combining a variety of glass shade colours, coloured cables, and metal hardware finishes. A few years later, the **Sotto Luce Individual app for iOS and Android** devices was developed and launched.

CONSISTENT AND RELIABLE

We were, **we are** and will be always **as close to our customers as possible**.

CUSTOMER-FOCUSED

We respond immediately to inquiries and provide all of our customers with the necessary technical and after-sales service. **Because we care.**

ENVIRONMENT-FRIENDLY

All Sotto Luce products are custom-made which means that:

- we do not keep any ready-made products in stock,
- we recycle any products withdrawn from sale.

This has the advantage that neither we nor our clients run the risk of ending up with dead stock in their warehouses.

AKAI



p.9

AKI



p.16

AKIRA



p.24

AWA



p.32

BI



p.37

BI KAGE



p.45

DOSEI



p.52

IRO



p.56

ITTEKI



p.59

KAMI



p.64

KIREI



p.78

MAKO



p.84

MATO



p.92

TAIKO



p.127

MIKA



p.95

TSUKI



p.135

MOMO



p.111

TSURI



p.147

MYOO



p.115

UMAI



p.155

REI



p.120

UME



p.163

MATERIALS

GLASS:

- AWA p. 32
- DOSEI p. 52
- ITTEKI p. 59
- MATO p. 92
- MOMO p. 111
- MYOO p. 115
- TSUKI p. 135
- UME p. 163

LAMINATED FABRIC:

- AKAI p. 9
- MAKO p. 84
- MIKA p. 95
- UMAI p. 155

NATURAL WOOD VENEER:

- AKIRA p. 24
- TSURI p. 147

PARCHMENT PAPER:

- IRO p. 56
- TAIKO p. 127

PLEATHER:

- AKI p. 16

POWDER COATED ALUMINIUM:

- KIREI p. 78

POWDER COATED STEEL:

- REI p. 120

STEEL:

- BI p. 37

TEXTILE:

- KAMI p. 64

THERMOPLASTIC:

- BI KAGE p. 45

TYPES

CEILING LIGHTS:

- AKAI p. 11
- AKI p. 18
- AKIRA p. 26
- BI p. 39
- BI KAGE p. 47
- IRO p. 58
- KAMI p. 66
- KIREI p. 80
- MAKO p. 86
- MATO p. 94
- MIKA p. 97
- MYOO p. 117
- REI p. 122
- TAIKO p. 129
- TSURI p. 149
- UMAI p. 157
- UME p. 165

PENDANT LIGHTS:

- AKAI p. 12
- AKI p. 20
- AKIRA p. 28
- AWA p. 34
- BI p. 40
- BI KAGE p. 48
- DOSEI p. 54
- ITTEKI p. 61
- KAMI p. 68
- KIREI p. 81
- MAKO p. 88
- MIKA p. 99
- MOMO p. 113
- MYOO p. 118
- REI p. 123
- TAIKO p. 131
- TSUKI p. 137
- TSURI p. 151
- UMAI p. 159
- UME p. 166

WALL LIGHTS:

- KIREI p. 83
- REI p. 126

TABLE LIGHTS:

- AKAI p. 14
- AKI p. 22
- AKIRA p. 30
- BI p. 43
- KAMI p. 73
- MAKO p. 90
- MIKA p. 104
- TAIKO p. 133
- TSURI p. 153
- UMAI p. 161

FLOOR LIGHTS:

- AKAI p. 15
- AKI p. 23
- AKIRA p. 31
- BI p. 44
- KAMI p. 76
- MAKO p. 91
- MIKA p. 109
- TAIKO p. 134
- TSURI p. 154
- UMAI p. 162



AKAI



AKAI | CP

NOVELTY

TECHNICAL INFORMATION

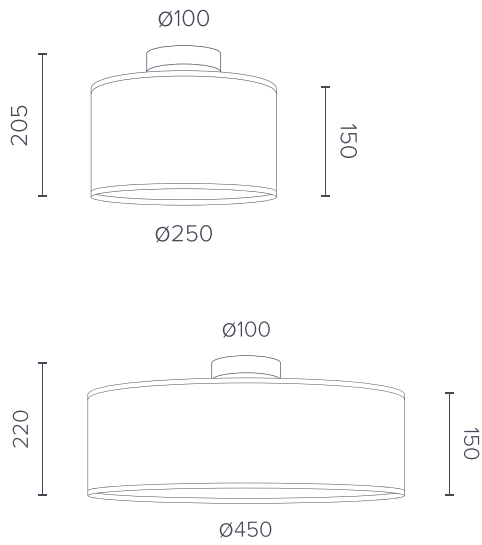
E-27 LED BULB MAX. 1 x 24 W



For a complete legend of symbols used in the catalogue see page 170.



SILHOUETTE



AVAILABLE FINISH OPTIONS

LAMINATED FABRIC WITH VLIESELINE LINING:

S



anthracite / gold



anthracite / silver



white / gold



white / silver

XL



anthracite / gold



anthracite / silver



white / gold



white / silver

AKAI XL I_S



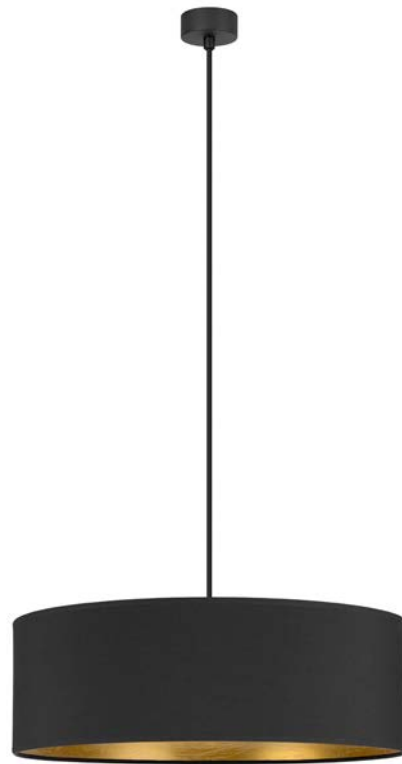
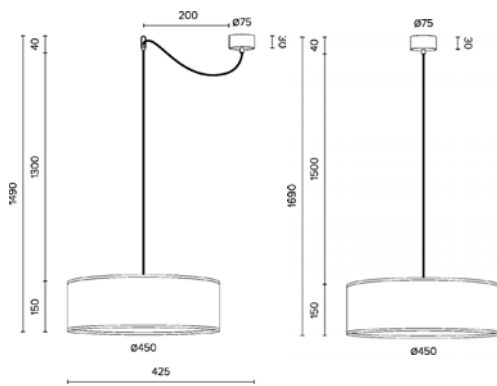
TECHNICAL INFORMATION

E-27 LED BULB MAX. 1 x 24 W



For a complete legend of symbols used in the catalogue see page 170.

SILHOUETTE



AVAILABLE FINISH OPTIONS

STEEL CEILING ROSE:



black white

CEILING MOUNTED PLASTIC CABLE CLAMPS:



black white

²CEILING MOUNTED METAL CABLE CLAMPS:



black white black white

¹TEXTILE POWER CORD - STANDARD COLOURS:



carbon black white smoke

¹For non-standard colours see page 169 - available at an extra charge.

²For optional version see page 169 - available at an extra charge.

LAMINATED FABRIC WITH Vlieseline LINING:



anthracite / gold

anthracite / silver

white / gold

white / silver

NOTE:

Manufacturer reserves the right to discontinue, or change at any time, specifications or designs without our incurring any obligation or liability. Bulbs not included.

AKAI XL 2_S



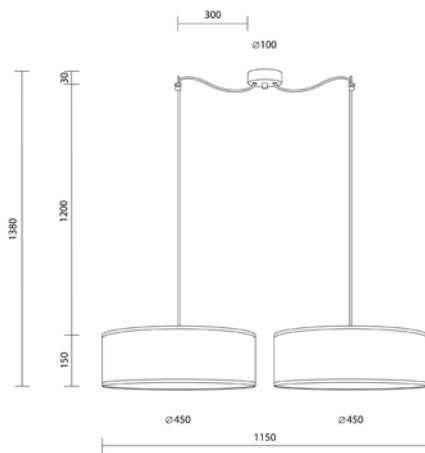
TECHNICAL INFORMATION

E-27 LED BULB MAX. 2 x 24 W



For a complete legend of symbols used in the catalogue see page 170.

SILHOUETTE



AVAILABLE FINISH OPTIONS

STEEL CEILING ROSE:



CEILING MOUNTED PLASTIC CABLE CLAMPS:



²CEILING MOUNTED METAL CABLE CLAMPS:



¹TEXTILE POWER CORD - STANDARD COLOURS:



¹For non-standard colours see page 169 - available at an extra charge.

²For optional version see page 169 - available at an extra charge.

LAMINATED FABRIC WITH Vlieseline LINING:



NOTE:
Manufacturer reserves the right to discontinue, or change at any time, specifications or designs without our incurring any obligation or liability. Bulbs not included.

AKAI S I T



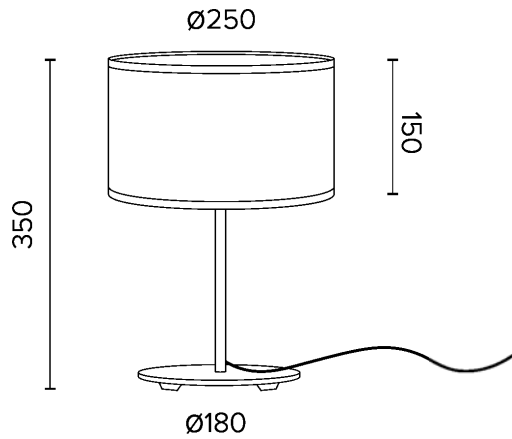
TECHNICAL INFORMATION

E-27 LED BULB MAX. 1 x 24 W



For a complete legend of symbols used in the catalogue see page 170.

SILHOUETTE



AVAILABLE FINISH OPTIONS

STEEL HARDWARE:



PVC POWER CORD:



LAMINATED FABRIC WITH VLIESELINE LINING:



NOTE:
Manufacturer reserves the right to discontinue, or change at any time, specifications or designs without our incurring any obligation or liability. Bulbs not included.

AKAI XL I_F



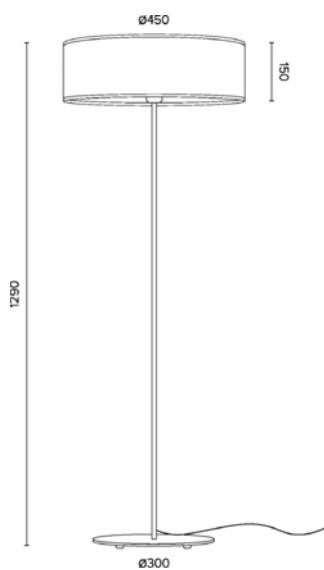
TECHNICAL INFORMATION

E-27 LED BULB MAX. 1 x 24 W



For a complete legend of symbols used in the catalogue see page 170.

SILHOUETTE



AVAILABLE FINISH OPTIONS

STEEL HARDWARE:



black

PVC POWER CORD:



transparent

LAMINATED FABRIC WITH VLIESELINE LINING:



anthracite / gold



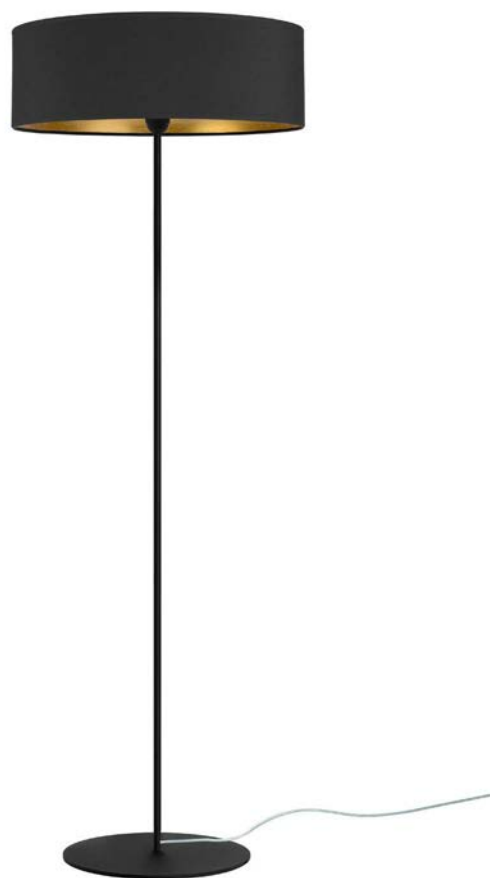
anthracite / silver



white / gold



white / silver



AKI



AKI L 3_C



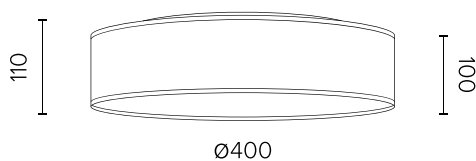
TECHNICAL INFORMATION

E-27 LED BULB MAX. 3 x 24 W



For a complete legend of symbols used in the catalogue see page 170.

SILHOUETTE



AVAILABLE FINISH OPTIONS

PLEATHER / POLYPROPYLENE DIFFUSER:



black



ivory

AKI 1_CP, 3_CP



TECHNICAL INFORMATION

S 1_CP - E-27 LED BULB MAX. 1 x 24 W

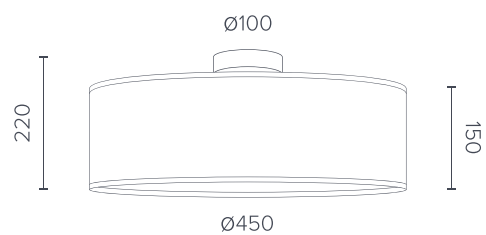
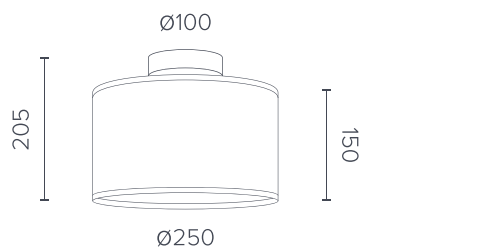
XL 3_CP - E-27 LED BULB MAX. 3 x 24 W



For a complete legend of symbols used in the catalogue see page 170.



SILHOUETTE



AVAILABLE FINISH OPTIONS

PLEATHER:

S



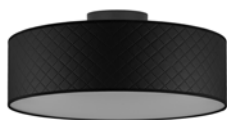
black



ivory

PLEATHER / POLYPROPYLENE DIFFUSER:

XL



black



ivory

NOTE:

Manufacturer reserves the right to discontinue, or change at any time, specifications or designs without our incurring any obligation or liability. Bulbs not included.

AKI XL I_S



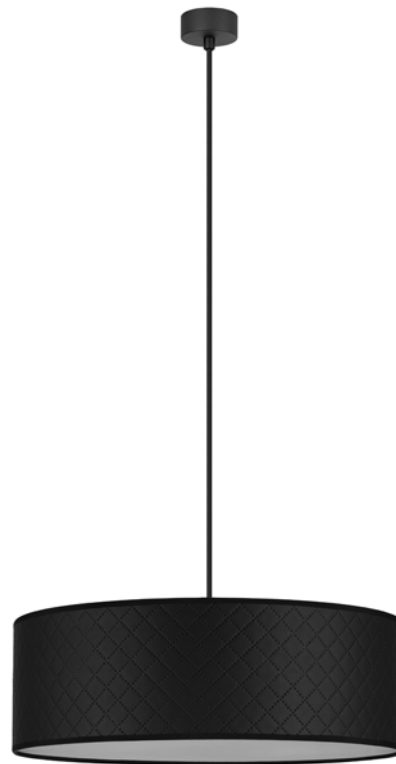
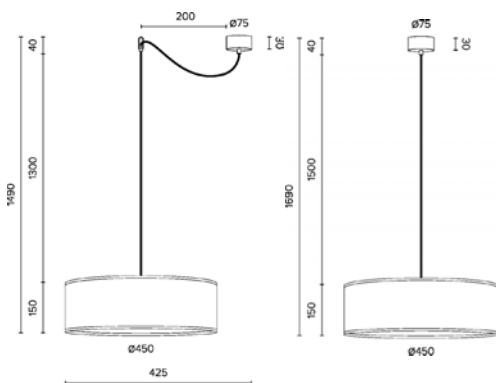
TECHNICAL INFORMATION

E-27 LED BULB MAX. 1 x 24 W



For a complete legend of symbols used in the catalogue see page 170.

SILHOUETTE



AVAILABLE FINISH OPTIONS

STEEL CEILING ROSE:



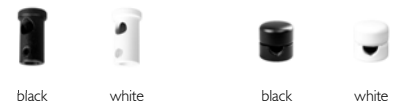
black white

CEILING MOUNTED PLASTIC CABLE CLAMPS:



black white

²CEILING MOUNTED METAL CABLE CLAMPS:



black white black white

¹TEXTILE POWER CORD - STANDARD COLOURS:



carbon black

white smoke

¹For non-standard colours see page 169 - available at an extra charge.

²For optional version see page 169 - available at an extra charge.

PLEATHER / POLYPROPYLENE DIFFUSER:



black

ivory

NOTE:

Manufacturer reserves the right to discontinue, or change at any time, specifications or designs without our incurring any obligation or liability. Bulbs not included.

AKI XL 2_S



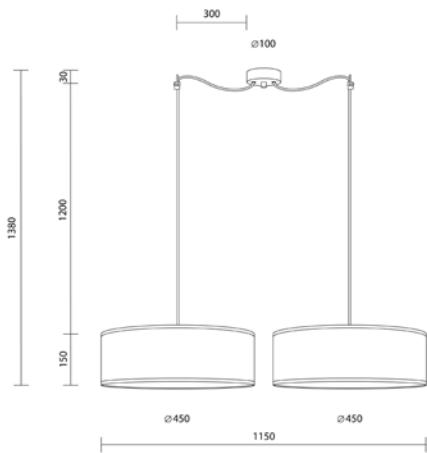
TECHNICAL INFORMATION

E-27 LED BULB MAX. 2 x 24 W



For a complete legend of symbols used in the catalogue see page 170.

SILHOUETTE



AVAILABLE FINISH OPTIONS

STEEL CEILING ROSE:



black

white

CEILING MOUNTED PLASTIC CABLE CLAMPS:



black

white

²CEILING MOUNTED METAL CABLE CLAMPS:



black

white

black

white

¹TEXTILE POWER CORD - STANDARD COLOURS:



carbon black

white smoke

¹For non-standard colours see page 169 - available at an extra charge.

²For optional version see page 169 - available at an extra charge.

PLEATHER / POLYPROPYLENE DIFFUSER:



black

ivory

NOTE:

Manufacturer reserves the right to discontinue, or change at any time, specifications or designs without our incurring any obligation or liability. Bulbs not included.

AKI S I T



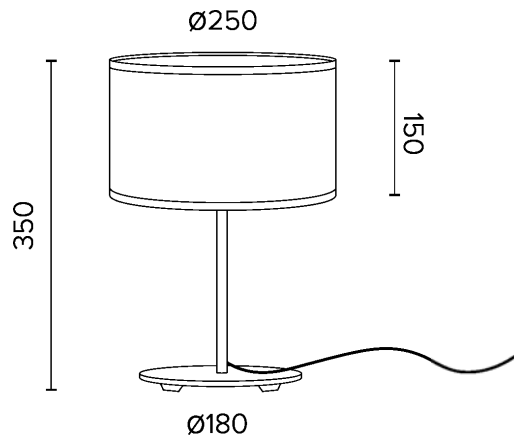
TECHNICAL INFORMATION

E-27 LED BULB MAX. 1 x 24 W



For a complete legend of symbols used in the catalogue see page 170.

SILHOUETTE



AVAILABLE FINISH OPTIONS

STEEL HARDWARE:



PVC POWER CORD:



PLEATHER:



NOTE:
Manufacturer reserves the right to discontinue, or change at any time, specifications or designs without our incurring any obligation or liability. Bulbs not included.

AKI XL I_F



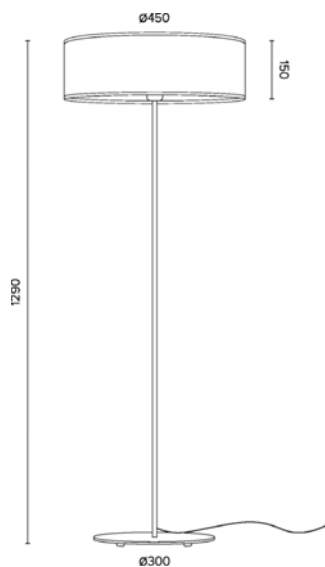
TECHNICAL INFORMATION

E-27 LED BULB MAX. 1 x 24 W



For a complete legend of symbols used in the catalogue see page 170.

SILHOUETTE



AVAILABLE FINISH OPTIONS

STEEL HARDWARE:



black

PVC POWER CORD:



transparent

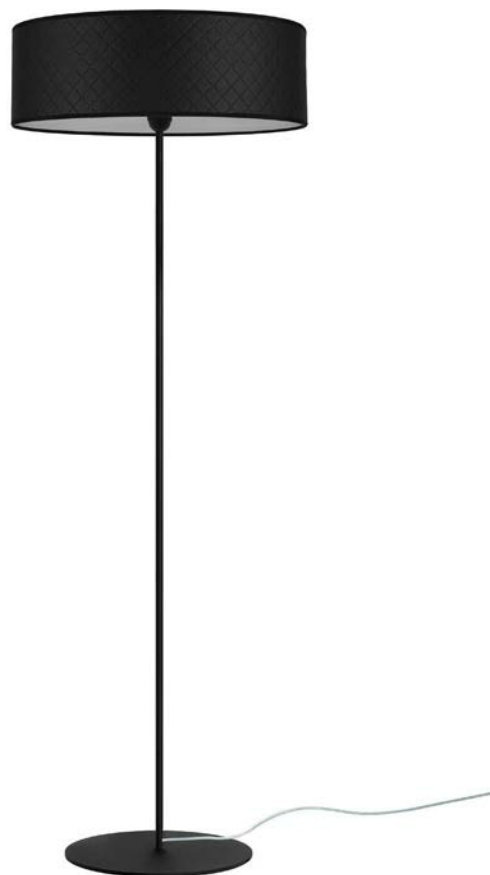
PLEATHER:



black



ivory



AKIRA



AKIRA L 3_C

NOVELTY

TECHNICAL INFORMATION

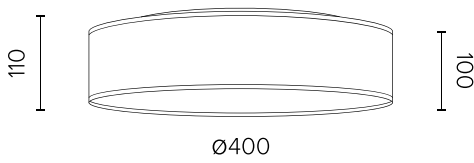
E-27 LED BULB MAX. 3 x 24 W



For a complete legend of symbols used in the catalogue see page 170.



SILHOUETTE



AVAILABLE FINISH OPTIONS

NATURAL WOOD VENEER / POLYPROPYLENE DIFFUSER:



rustic oak



zebrano



brown striped



eucalyptus



blue striped



blue



red

NOTE:

Manufacturer reserves the right to discontinue, or change at any time, specifications or designs without our incurring any obligation or liability. Bulbs not included.

AKIRA I_CP, 3_CP



TECHNICAL INFORMATION

S I_CP - E-27 LED BULB MAX. 1 x 24 W

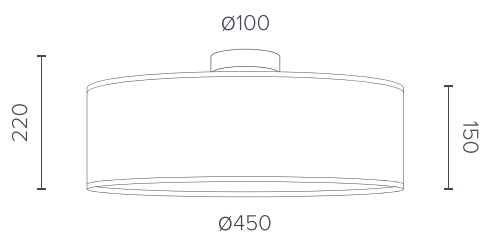
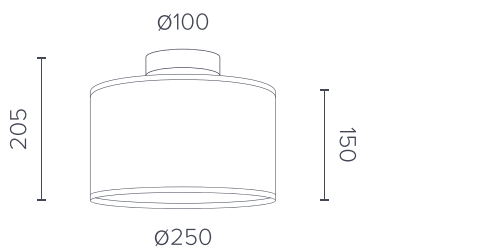
XL 3_CP - E-27 LED BULB MAX. 3 x 24 W



For a complete legend of symbols used in the catalogue see page 170.



SILHOUETTE



AVAILABLE FINISH OPTIONS

NATURAL WOOD VENEER:

S



NATURAL WOOD VENEER / POLYPROPYLENE DIFFUSER:

XL



NOTE: Manufacturer reserves the right to discontinue, or change at any time, specifications or designs without our incurring any obligation or liability. Bulbs not included.

AKIRA XL I_S



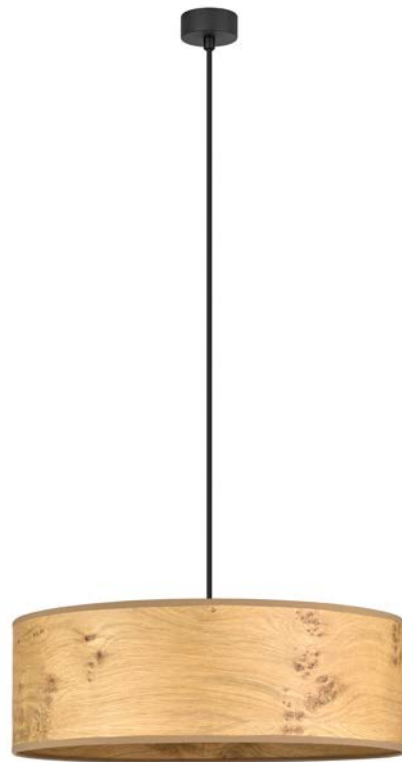
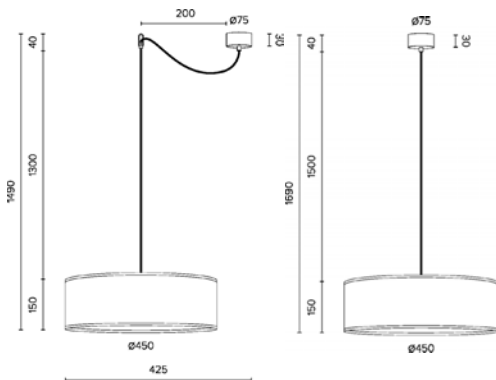
TECHNICAL INFORMATION

E-27 LED BULB MAX. 1 x 24 W



For a complete legend of symbols used in the catalogue see page 170.

SILHOUETTE



AVAILABLE FINISH OPTIONS

STEEL CEILING ROSE:



black white

CEILING MOUNTED PLASTIC CABLE CLAMPS:



black white

²CEILING MOUNTED METAL CABLE CLAMPS:



black white black white

¹TEXTILE POWER CORD - STANDARD COLOURS:



carbon black white smoke

¹For non-standard colours see page 169 - available at an extra charge.

²For optional version see page 169 - available at an extra charge.

NATURAL WOOD VENEER / POLYPROPYLENE DIFFUSER:



rustic oak



zebrano



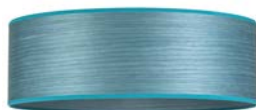
brown striped



eucalyptus



blue striped



blue



red

NOTE:

Manufacturer reserves the right to discontinue, or change at any time, specifications or designs without our incurring any obligation or liability. Bulbs not included.

AKIRA XL 2_S



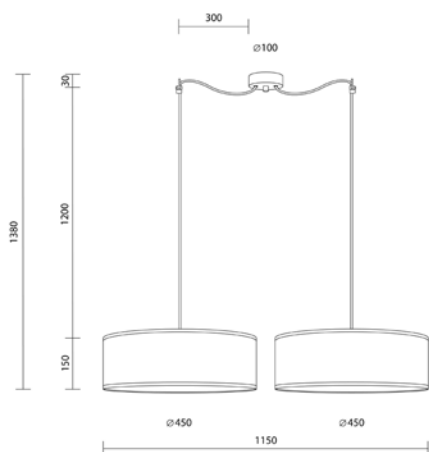
TECHNICAL INFORMATION

E-27 LED BULB MAX. 2 x 24 W



For a complete legend of symbols used in the catalogue see page 170.

SILHOUETTE



AVAILABLE FINISH OPTIONS

STEEL CEILING ROSE:



CEILING MOUNTED PLASTIC CABLE CLAMPS:



²CEILING MOUNTED METAL CABLE CLAMPS:



¹TEXTILE POWER CORD - STANDARD COLOURS:



¹For non-standard colours see page 169 - available at an extra charge.

²For optional version see page 169 - available at an extra charge.

NATURAL WOOD VENEER / POLYPROPYLENE DIFFUSER:



NOTE: Manufacturer reserves the right to discontinue, or change at any time, specifications or designs without our incurring any obligation or liability. Bulbs not included.

AKIRA S I _ T



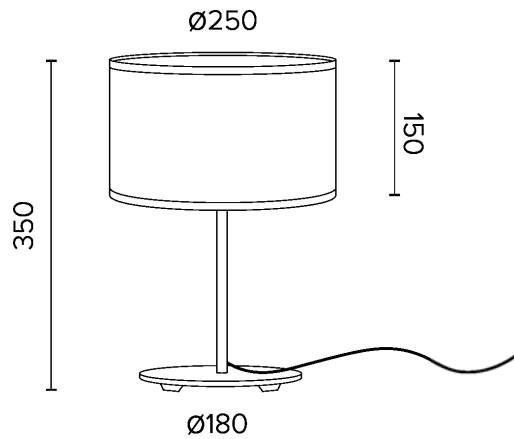
TECHNICAL INFORMATION

E-27 LED BULB MAX. 1 x 24 W



For a complete legend of symbols used in the catalogue see page 170.

SILHOUETTE



AVAILABLE FINISH OPTIONS

STEEL HARDWARE:



PVC POWER CORD:



NATURAL WOOD VENEER:



NOTE: Manufacturer reserves the right to discontinue, or change at any time, specifications or designs without our incurring any obligation or liability. Bulbs not included.

AKIRA XL I_F



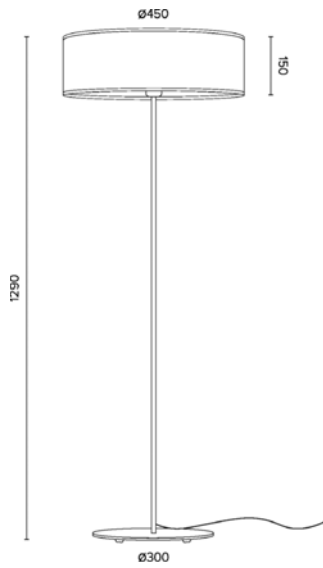
TECHNICAL INFORMATION

E-27 LED BULB MAX. 1 x 24 W



For a complete legend of symbols used in the catalogue see page 170.

SILHOUETTE



AVAILABLE FINISH OPTIONS

STEEL HARDWARE:



black

PVC POWER CORD:



transparent

NATURAL WOOD VENEER:



rustic oak



zebrano



brown striped



eucalyptus



blue striped



dye

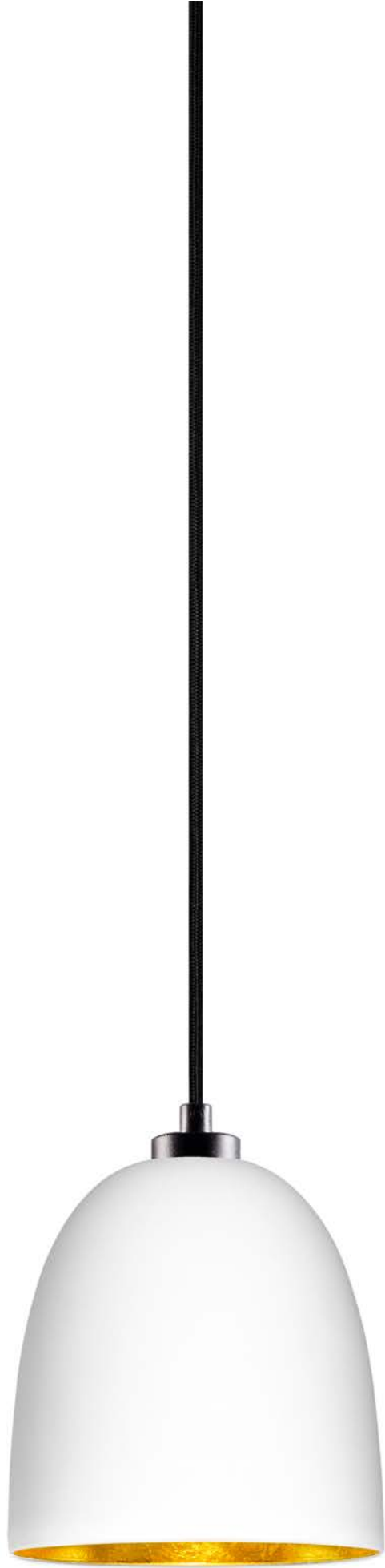


red

NOTE:

Manufacturer reserves the right to discontinue, or change at any time, specifications or designs without our incurring any obligation or liability. Bulbs not included.

AWA



AWA I_S

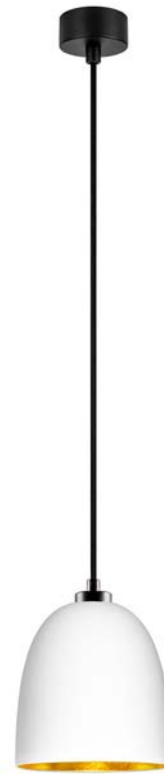
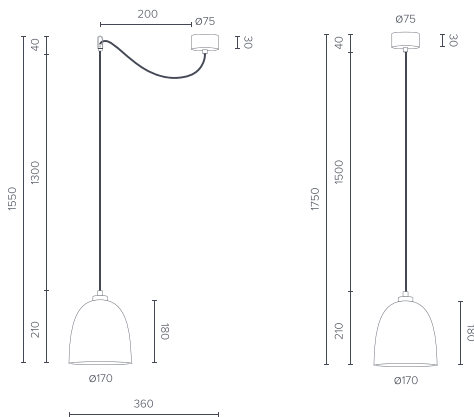
TECHNICAL INFORMATION

E-14 LED BULB MAX. 1 x 12 W



For a complete legend of symbols used in the catalogue see page 170.

SILHOUETTE



AVAILABLE FINISH OPTIONS

STEEL CEILING ROSE:



black white

CEILING MOUNTED PLASTIC CABLE CLAMPS:



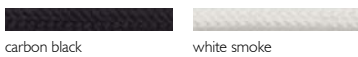
black white

²CEILING MOUNTED METAL CABLE CLAMPS:



black white black white

¹TEXTILE POWER CORD - STANDARD COLOURS:



carbon black white smoke

¹For non-standard colours see page 169 - available at an extra charge.

²For optional version see page 169 - available at an extra charge.

GLASS LAMPSHADE:



glossy black



glossy opal



matte black



matte opal



matte black / copper leaves



matte black / imitation gold leaves



matte black / imitation silver leaves



matte opal / copper leaves



matte opal / imitation gold leaves



matte opal / imitation silver leaves



copper leaves



imitation gold leaves



imitation silver leaves

NOTE:

Manufacturer reserves the right to discontinue, or change at any time, specifications or designs without our incurring any obligation or liability. Bulbs not included.

AWA 2_S

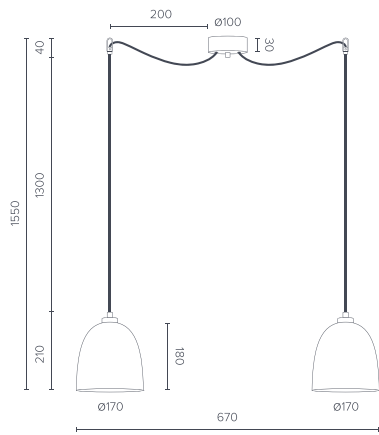
TECHNICAL INFORMATION

E-14 LED BULBS MAX. 2 x 12 W



For a complete legend of symbols used in the catalogue see page 170.

SILHOUETTE



AVAILABLE FINISH OPTIONS

STEEL CEILING ROSE:



black

white

CEILING MOUNTED PLASTIC CABLE CLAMPS:



black

white

²CEILING MOUNTED METAL CABLE CLAMPS:



black

white

black

white

¹TEXTILE POWER CORD - STANDARD COLOURS:



carbon black

white smoke

¹For non-standard colours see page 169 - available at an extra charge.

²For optional version see page 169 - available at an extra charge.

GLASS LAMPSHADE:



glossy black



glossy opal



matte black



matte opal



matte black /
copper leaves



matte black /
imitation gold leaves



matte black /
imitation silver leaves



matte opal /
copper leaves



matte opal /
imitation gold leaves



matte opal /
imitation silver leaves



copper leaves



imitation
gold leaves



imitation
silver leaves

NOTE:

Manufacturer reserves the right to discontinue, or change at any time, specifications or designs without our incurring any obligation or liability. Bulbs not included.

AWA 3_S

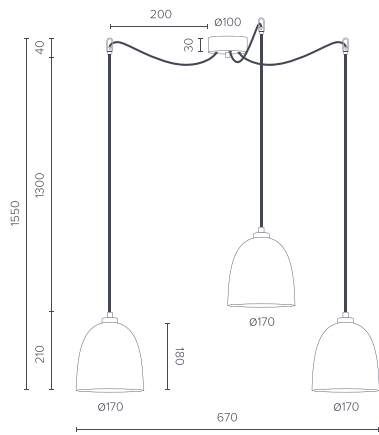
TECHNICAL INFORMATION

E-14 LED BULBS MAX. 3 x 12 W



For a complete legend of symbols used in the catalogue see page 170.

SILHOUETTE



AVAILABLE FINISH OPTIONS

STEEL CEILING ROSE:



black

white

CEILING MOUNTED PLASTIC CABLE CLAMPS:



black

white

²CEILING MOUNTED METAL CABLE CLAMPS:



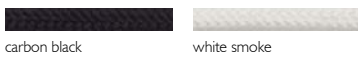
black

white

black

white

¹TEXTILE POWER CORD - STANDARD COLOURS:



carbon black

white smoke

¹For non-standard colours see page 169 - available at an extra charge.

²For optional version see page 169 - available at an extra charge.

GLASS LAMPSHADE:



glossy black



glossy opal



matte black



matte opal



matte black /
copper leaves



matte black /
imitation gold leaves



matte black /
imitation silver leaves



matte opal /
copper leaves



matte opal /
imitation gold leaves



matte opal /
imitation silver leaves



copper leaves



imitation
gold leaves



imitation
silver leaves

NOTE:

Manufacturer reserves the right to discontinue, or change at any time, specifications or designs without our incurring any obligation or liability. Bulbs not included.

BI



BI I_CP

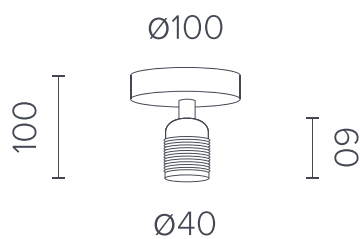
TECHNICAL INFORMATION

E-27 LED BULB MAX. 1 x 24 W



For a complete legend of symbols used in the catalogue see page 170.

SILHOUETTE



AVAILABLE FINISH OPTIONS

STEEL LAMPHOLDER / STEEL HARDWARE:



black



white



glossy brass /
black



glossy copper /
black



glossy nickel /
black

BI | S

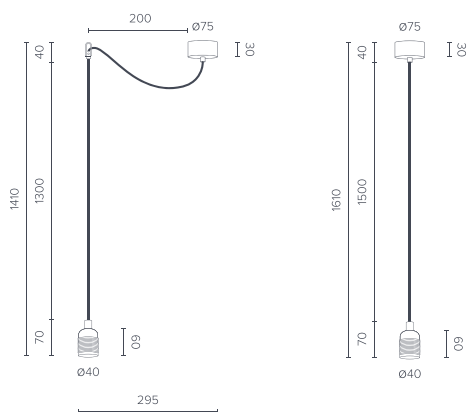
TECHNICAL INFORMATION

E-27 LED BULB MAX. 1 x 24 W



For a complete legend of symbols used in the catalogue see page 170.

SILHOUETTE



AVAILABLE FINISH OPTIONS

STEEL CEILING ROSE:



black white

CEILING MOUNTED PLASTIC CABLE CLAMPS:



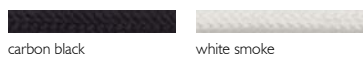
black white

²CEILING MOUNTED METAL CABLE CLAMPS:



black white matte nickel

¹TEXTILE POWER CORD - STANDARD COLOURS:



carbon black white smoke

¹For non-standard colours see page 169 - available at an extra charge.



black white matte brass matte copper matte nickel

²For optional version see page 169 - available at an extra charge.

STEEL LAMPHOLDER:



black white
glossy brass glossy copper glossy nickel

NOTE:
Manufacturer reserves the right to discontinue, or change at any time, specifications or designs without our incurring any obligation or liability. Bulbs not included.

BI 3_S

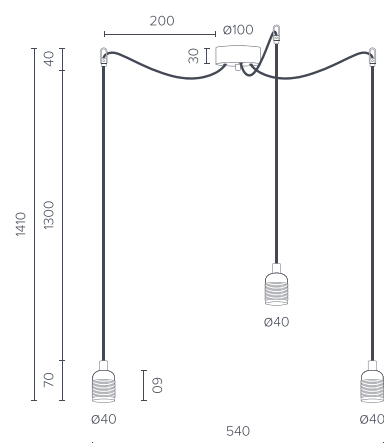
TECHNICAL INFORMATION

E-27 LED BULBS MAX. 3 x 24 W



For a complete legend of symbols used in the catalogue see page 170.

SILHOUETTE



AVAILABLE FINISH OPTIONS

STEEL CEILING ROSE:



black

white

CEILING MOUNTED PLASTIC CABLE CLAMPS:



black

white

²CEILING MOUNTED METAL CABLE CLAMPS:



black

white

matte
nickel

¹TEXTILE POWER CORD - STANDARD COLOURS:



carbon black

white smoke

¹For non-standard colours see page 169 - available at an extra charge.



black

white

matte
brass

matte
copper

matte
nickel

²For optional version see page 169 - available at an extra charge.

STEEL LAMPHOLDER:



black

white

glossy
brass

glossy
copper

glossy
nickel

NOTE:

Manufacturer reserves the right to discontinue, or change at any time, specifications or designs without our incurring any obligation or liability. Bulbs not included.

BI 5_S

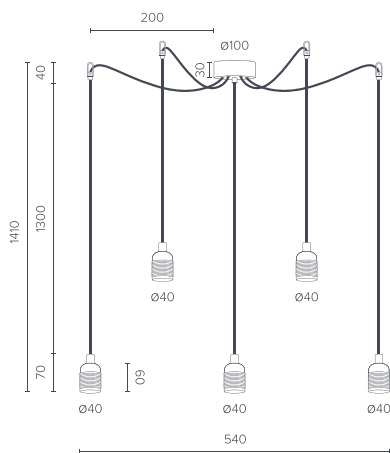
TECHNICAL INFORMATION

E-27 LED BULBS MAX. 5 x 24 W



For a complete legend of symbols used in the catalogue see page 170.

SILHOUETTE



AVAILABLE FINISH OPTIONS

STEEL CEILING ROSE:



black

white

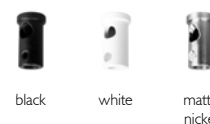
CEILING MOUNTED PLASTIC CABLE CLAMPS:



black

white

²CEILING MOUNTED METAL CABLE CLAMPS:



black

white

matte
nickel

¹TEXTILE POWER CORD - STANDARD COLOURS:



carbon black

white smoke

¹For non-standard colours see page 169- available at an extra charge.



black

white

matte
brass

matte
copper

matte
nickel

²For optional version see page 169 - available at an extra charge.

STEEL LAMPHOLDER:



black

white

glossy
brass

glossy
copper

glossy
nickel

NOTE:

Manufacturer reserves the right to discontinue, or change at any time, specifications or designs without our incurring any obligation or liability. Bulbs not included.

BI | T

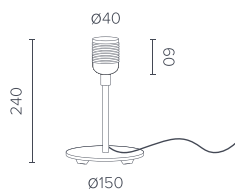
TECHNICAL INFORMATION

E-27 LED BULB MAX. 1 x 24 W



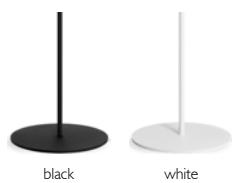
For a complete legend of symbols used in the catalogue see page 170.

SILHOUETTE



AVAILABLE FINISH OPTIONS

STEEL HARDWARE:



PVC POWER CORD:



transparent

STEEL LAMPHOLDER:



BI | F

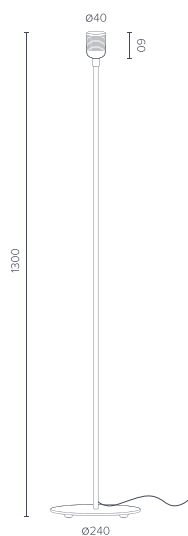
TECHNICAL INFORMATION

E-27 LED BULB MAX. 1 x 24 W



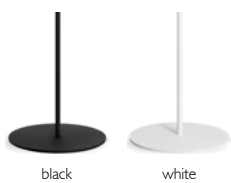
For a complete legend of symbols used in the catalogue see page 170.

SILHOUETTE



AVAILABLE FINISH OPTIONS

STEEL HARDWARE:



black

white

PVC POWER CORD:



transparent

STEEL LAMPHOLDER:



black

white



BI KAGE



BI KAGE I_CP

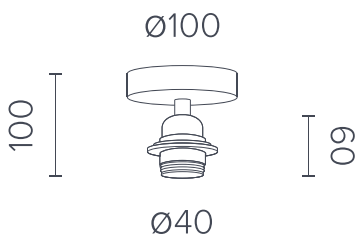
TECHNICAL INFORMATION

E-27 LED BULB MAX. 1 x 24 W



For a complete legend of symbols used in the catalogue see page 170.

SILHOUETTE



AVAILABLE FINISH OPTIONS

THERMOPLASTIC LAMPHOLDER / STEEL HARDWARE:



black



white

BI KAGE I_S

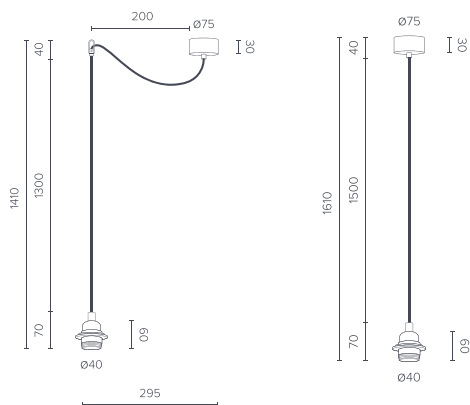
TECHNICAL INFORMATION

E-27 LED BULB MAX. 1 x 24 W



For a complete legend of symbols used in the catalogue see page 170.

SILHOUETTE



AVAILABLE FINISH OPTIONS

STEEL CEILING ROSE:



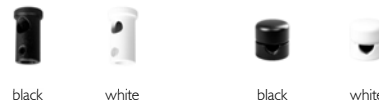
black white

CEILING MOUNTED PLASTIC CABLE CLAMPS:



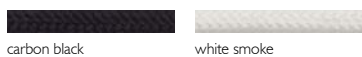
black white

²CEILING MOUNTED METAL CABLE CLAMPS:



black white black white

¹TEXTILE POWER CORD - STANDARD COLOURS:



carbon black white smoke

¹For non-standard colours see page 169 - available at an extra charge.

²For optional version see page 169 - available at an extra charge.

THERMOPLASTIC LAMPHOLDER:



black white

NOTE:
Manufacturer reserves the right to discontinue, or change at any time, specifications or designs without our incurring any obligation or liability. Bulbs not included.

BI KAGE 2_S

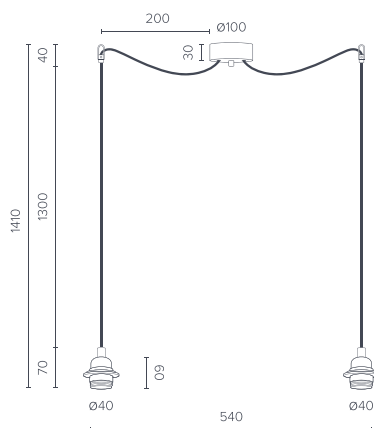
TECHNICAL INFORMATION

E-27 LED BULBS MAX. 2 x 24 W



For a complete legend of symbols used in the catalogue see page 170.

SILHOUETTE



AVAILABLE FINISH OPTIONS

STEEL CEILING ROSE:



black

white

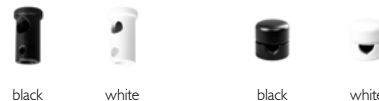
CEILING MOUNTED PLASTIC CABLE CLAMPS:



black

white

²CEILING MOUNTED METAL CABLE CLAMPS:



black

white

black

white

¹TEXTILE POWER CORD - STANDARD COLOURS:



carbon black

white smoke

¹For non-standard colours see page 169 - available at an extra charge.

²For optional version see page 169 - available at an extra charge.

THERMOPLASTIC LAMPHOLDER:



black

white

NOTE:
Manufacturer reserves the right to discontinue, or change at any time, specifications or designs without our incurring any obligation or liability. Bulbs not included.

BI KAGE 3_S

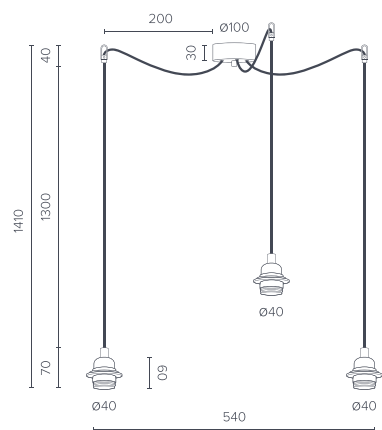
TECHNICAL INFORMATION

E-27 LED BULBS MAX. 3 x 24 W



For a complete legend of symbols used in the catalogue see page 170.

SILHOUETTE



AVAILABLE FINISH OPTIONS

STEEL CEILING ROSE:



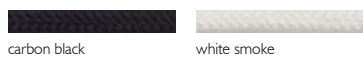
CEILING MOUNTED PLASTIC CABLE CLAMPS:



²CEILING MOUNTED METAL CABLE CLAMPS:



¹TEXTILE POWER CORD - STANDARD COLOURS:



¹For non-standard colours see page 169 - available at an extra charge.

²For optional version see page 169 - available at an extra charge.

THERMOPLASTIC LAMPHOLDER:



BI KAGE 5_S

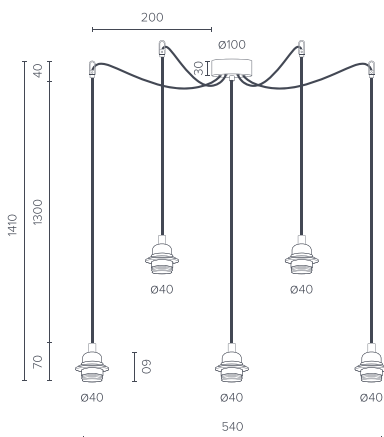
TECHNICAL INFORMATION

E-27 LED BULBS MAX. 5 x 24 W



For a complete legend of symbols used in the catalogue see page 170.

SILHOUETTE



AVAILABLE FINISH OPTIONS

STEEL CEILING ROSE:



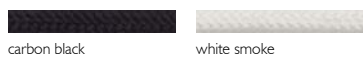
CEILING MOUNTED PLASTIC CABLE CLAMPS:



²CEILING MOUNTED METAL CABLE CLAMPS:



¹TEXTILE POWER CORD - STANDARD COLOURS:



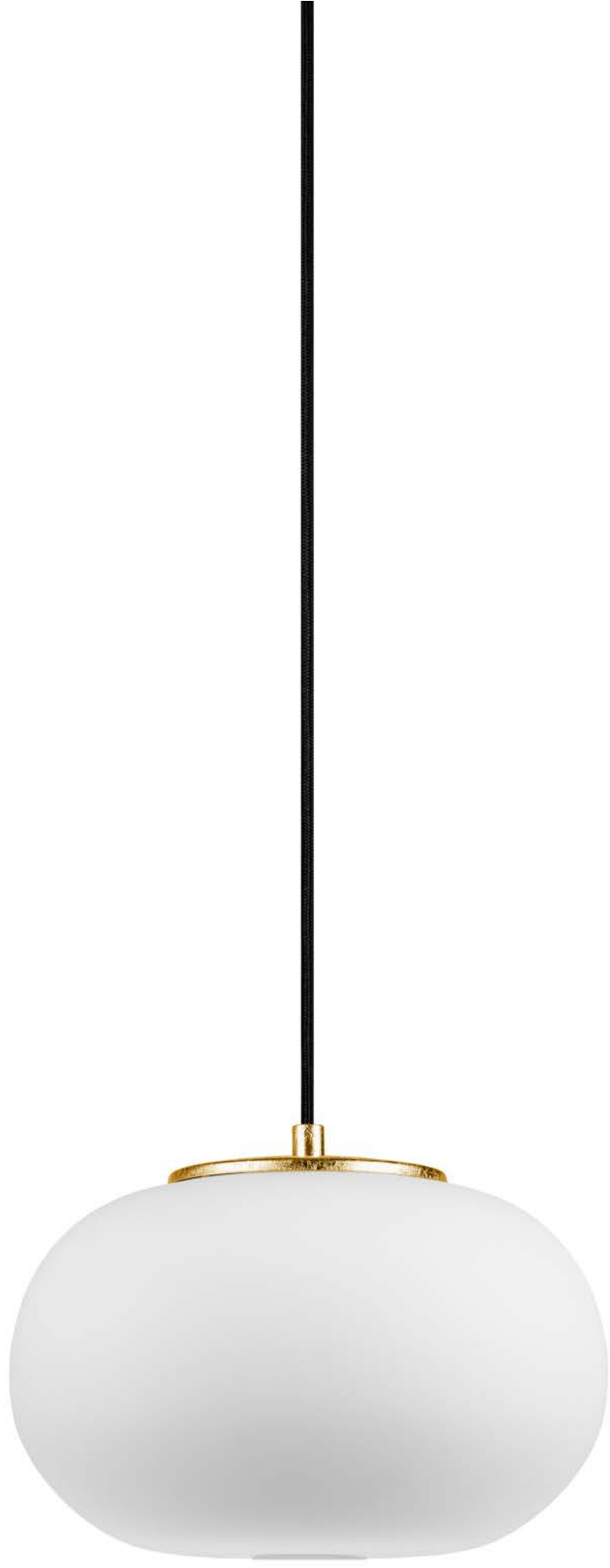
¹For non-standard colours see page 169- available at an extra charge.

²For optional version see page 169- available at an extra charge.

THERMOPLASTIC LAMPHOLDER:



DOSEI



DOSEI I_S

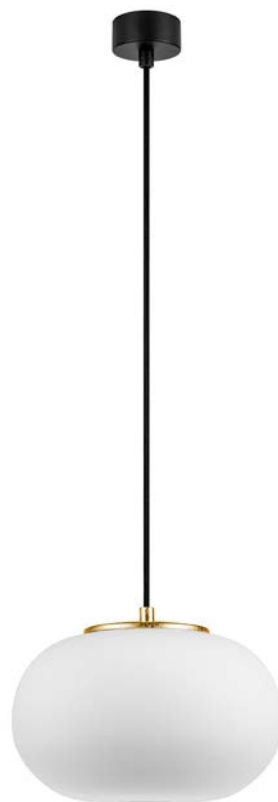
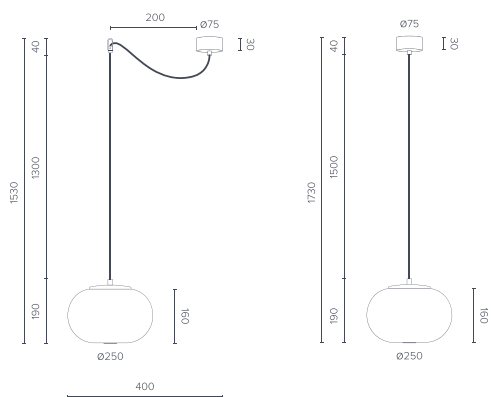
TECHNICAL INFORMATION

E-27 LED BULB MAX. 1 x 24 W



For a complete legend of symbols used in the catalogue see page I 70.

SILHOUETTE



AVAILABLE FINISH OPTIONS

STEEL CEILING ROSE:



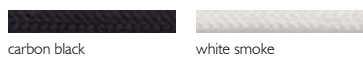
CEILING MOUNTED PLASTIC CABLE CLAMPS:



²CEILING MOUNTED METAL CABLE CLAMPS:



¹TEXTILE POWER CORD - STANDARD COLOURS:



¹For non-standard colours see page I 69 - available at an extra charge.

²For optional version see page I 69 - available at an extra charge.

GLASS LAMPSHADE / STEEL SHADE SUPPORT:



NOTE:
Manufacturer reserves the right to discontinue, or change at any time, specifications or designs without our incurring any obligation or liability. Bulbs not included.

DOSEI 2_S

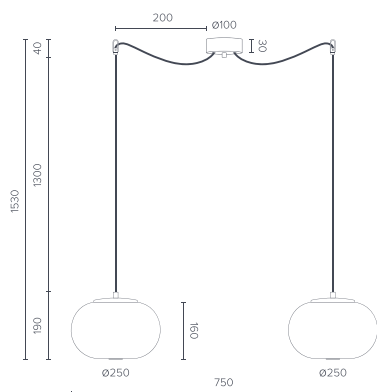
TECHNICAL INFORMATION

E-27 LED BULBS MAX. 2 x 24 W



For a complete legend of symbols used in the catalogue see page 170.

SILHOUETTE



AVAILABLE FINISH OPTIONS

STEEL CEILING ROSE:



black

white

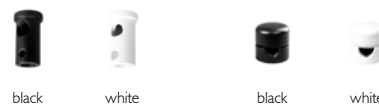
CEILING MOUNTED PLASTIC CABLE CLAMPS:



black

white

²CEILING MOUNTED METAL CABLE CLAMPS:



black

white

black

white

¹TEXTILE POWER CORD - STANDARD COLOURS:



carbon black

white smoke

¹For non-standard colours see page 169 - available at an extra charge.

²For optional version see page 169 - available at an extra charge.

GLASS LAMPSHADE / STEEL SHADE SUPPORT:



matte opal / black

matte opal / white



matte opal /
copper leaves

matte opal /
imitation gold leaves

matte opal /
imitation silver leaves

NOTE:

Manufacturer reserves the right to discontinue, or change at any time, specifications or designs without our incurring any obligation or liability. Bulbs not included.

IRO



IRO | CP

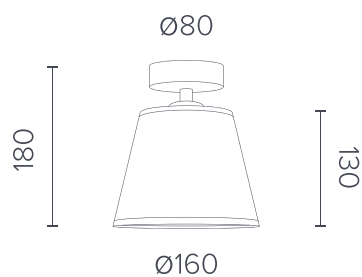
TECHNICAL INFORMATION

E-27 LED BULB MAX. 1 x 24 W



For a complete legend of symbols used in the catalogue see page 170.

SILHOUETTE



AVAILABLE FINISH OPTIONS

PARCHMENT PAPER LAMPSHADE:



NOTE:
Manufacturer reserves the right to discontinue, or change at any time, specifications or designs without our incurring any obligation or liability. Bulbs not included.

ITTEKI



ITTEKI I_S

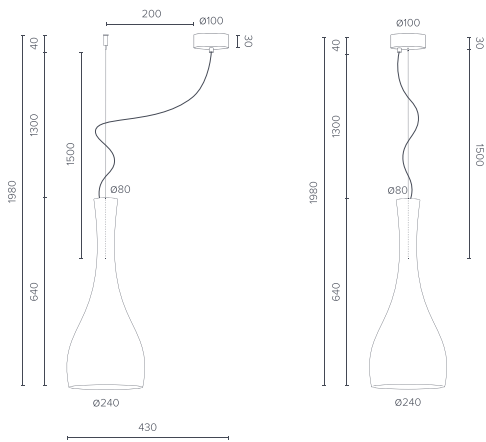
TECHNICAL INFORMATION

E-27 LED BULB MAX. 1 x 24 W



For a complete legend of symbols used in the catalogue see page 170.

SILHOUETTE



AVAILABLE FINISH OPTIONS

STEEL CEILING ROSE:



TEXTILE POWER CORD - STANDARD COLOURS:



GLASS LAMPSHADE:



NOTE: Manufacturer reserves the right to discontinue, or change at any time, specifications or designs without our incurring any obligation or liability. Bulbs not included.

ITTEKI 2_S

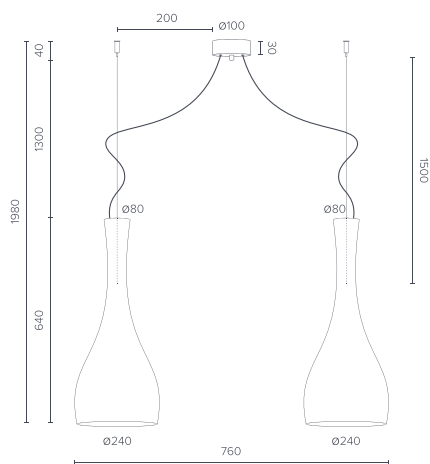
TECHNICAL INFORMATION

E-27 LED BULBS MAX. 2 x 24 W



For a complete legend of symbols used in the catalogue see page 170.

SILHOUETTE



AVAILABLE FINISH OPTIONS

STEEL CEILING ROSE:



black

white

TEXTILE POWER CORD - STANDARD COLOURS:



carbon black

white smoke

GLASS LAMPSHADE:



NOTE:
Manufacturer reserves the right to discontinue, or change at any time, specifications or designs without our incurring any obligation or liability. Bulbs not included.

ITTEKI 3_S

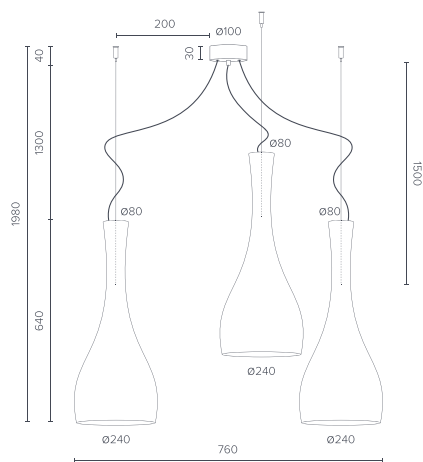
TECHNICAL INFORMATION

E-27 LED BULBS MAX. 3 x 24 W



For a complete legend of symbols used in the catalogue see page 170.

SILHOUETTE



AVAILABLE FINISH OPTIONS

STEEL CEILING ROSE:



TEXTILE POWER CORD - STANDARD COLOURS:



GLASS LAMPSHADE:



NOTE:
Manufacturer reserves the right to discontinue, or change at any time, specifications or designs without our incurring any obligation or liability. Bulbs not included.

KAMI



KAMI 3_C

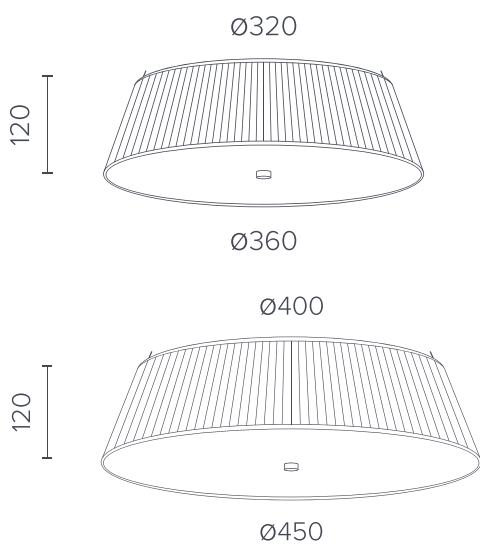
TECHNICAL INFORMATION



For a complete legend of symbols used in the catalogue see page 170.



SILHOUETTE



AVAILABLE FINISH OPTIONS

TEXTILE:



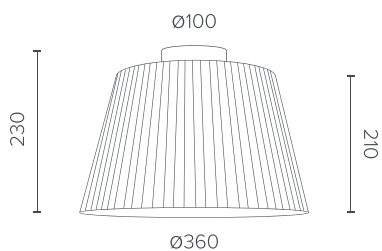
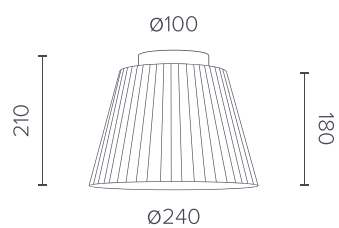
KAMI | CP

TECHNICAL INFORMATION



For a complete legend of symbols used in the catalogue see page 170.

SILHOUETTE



AVAILABLE FINISH OPTIONS

TEXTILE:



KAMI S I _ S

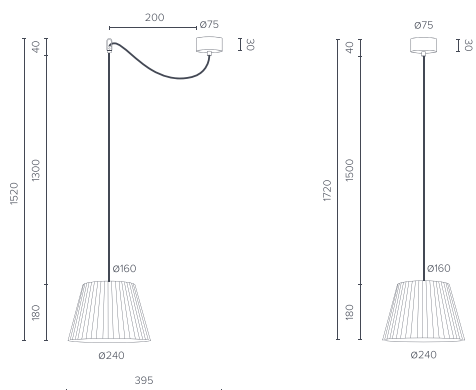
TECHNICAL INFORMATION

E-14 LED BULB MAX. 1 x 12 W



For a complete legend of symbols used in the catalogue see page I 70.

SILHOUETTE



AVAILABLE FINISH OPTIONS

STEEL CEILING ROSE:



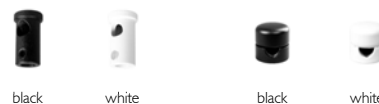
black white

CEILING MOUNTED PLASTIC CABLE CLAMPS:



black white

²CEILING MOUNTED METAL CABLE CLAMPS:



black white black white

¹TEXTILE POWER CORD - STANDARD COLOURS:



carbon black white smoke

¹For non-standard colours see page I 69 - available at an extra charge.

²For optional version see page I 69 - available at an extra charge.

TEXTILE:



black écru white

NOTE:
Manufacturer reserves the right to discontinue, or change at any time, specifications or designs without our incurring any obligation or liability. Bulbs not included.

KAMI S 2_S

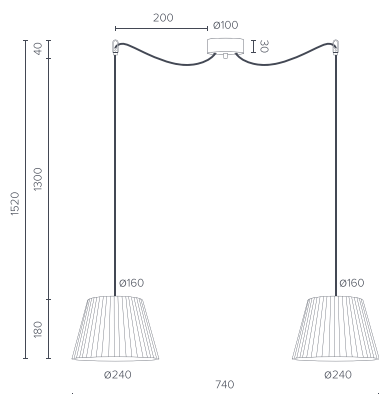
TECHNICAL INFORMATION

E-14 LED BULBS MAX. 2 x 12 W



For a complete legend of symbols used in the catalogue see page 170.

SILHOUETTE



AVAILABLE FINISH OPTIONS

STEEL CEILING ROSE:



black

white

CEILING MOUNTED PLASTIC CABLE CLAMPS:



black

white

²CEILING MOUNTED METAL CABLE CLAMPS:



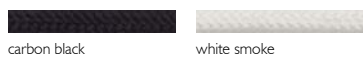
black

white

black

white

¹TEXTILE POWER CORD - STANDARD COLOURS:



carbon black

white smoke

¹For non-standard colours see page 169 - available at an extra charge.

²For optional version see page 169 - available at an extra charge.

TEXTILE:



black

écru

white

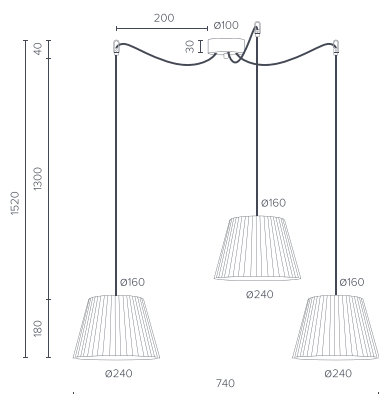
KAMI S 3_S

TECHNICAL INFORMATION



For a complete legend of symbols used in the catalogue see page 170.

SILHOUETTE



AVAILABLE FINISH OPTIONS

STEEL CEILING ROSE:



black

white

CEILING MOUNTED PLASTIC CABLE CLAMPS:



black

white

²CEILING MOUNTED METAL CABLE CLAMPS:



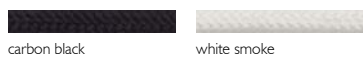
black

white

black

white

¹TEXTILE POWER CORD - STANDARD COLOURS:



carbon black

white smoke

¹For non-standard colours see page 169 - available at an extra charge.

²For optional version see page 169 - available at an extra charge.

TEXTILE:



KAMI M I _ S

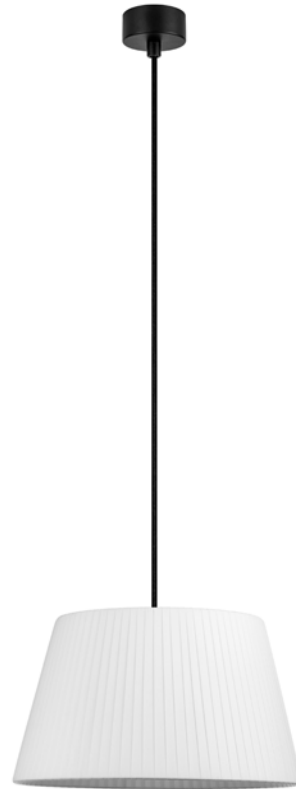
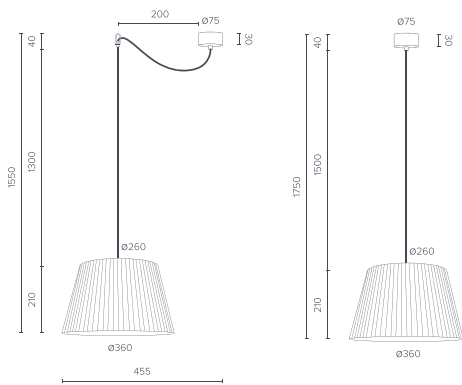
TECHNICAL INFORMATION

E-27 LED BULB MAX. 1 x 24 W



For a complete legend of symbols used in the catalogue see page I 70.

SILHOUETTE



AVAILABLE FINISH OPTIONS

STEEL CEILING ROSE:



black white

CEILING MOUNTED PLASTIC CABLE CLAMPS:



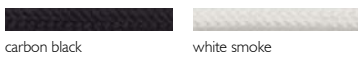
black white

²CEILING MOUNTED METAL CABLE CLAMPS:



black white black white

¹TEXTILE POWER CORD - STANDARD COLOURS:



carbon black

white smoke

¹For non-standard colours see page I 69 - available at an extra charge.

²For optional version see page I 69 - available at an extra charge.

TEXTILE:



NOTE:

Manufacturer reserves the right to discontinue, or change at any time, specifications or designs without our incurring any obligation or liability. Bulbs not included.

KAMI M 2_S

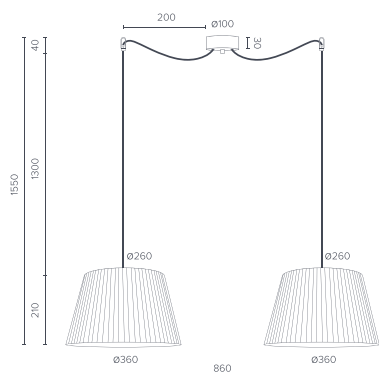
TECHNICAL INFORMATION

E-27 LED BULBS MAX. 2 x 24 W



For a complete legend of symbols used in the catalogue see page 170.

SILHOUETTE



AVAILABLE FINISH OPTIONS

STEEL CEILING ROSE:



black

white

CEILING MOUNTED PLASTIC CABLE CLAMPS:



black

white

²CEILING MOUNTED METAL CABLE CLAMPS:



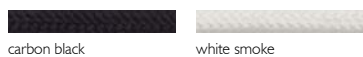
black

white

black

white

¹TEXTILE POWER CORD - STANDARD COLOURS:



carbon black

white smoke

¹For non-standard colours see page 169 - available at an extra charge.

²For optional version see page 169 - available at an extra charge.

TEXTILE:



NOTE:

Manufacturer reserves the right to discontinue, or change at any time, specifications or designs without our incurring any obligation or liability. Bulbs not included.

KAMI MIT

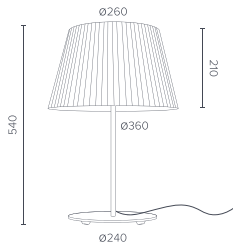
TECHNICAL INFORMATION

E-27 LED BULB MAX. 1 x 24 W



For a complete legend of symbols used in the catalogue see page 170.

SILHOUETTE



AVAILABLE FINISH OPTIONS

STEEL HARDWARE:



PVC POWER CORD:



transparent

TEXTILE:



NOTE:

Manufacturer reserves the right to discontinue, or change at any time, specifications or designs without our incurring any obligation or liability. Bulbs not included.

KAMI L I _ S

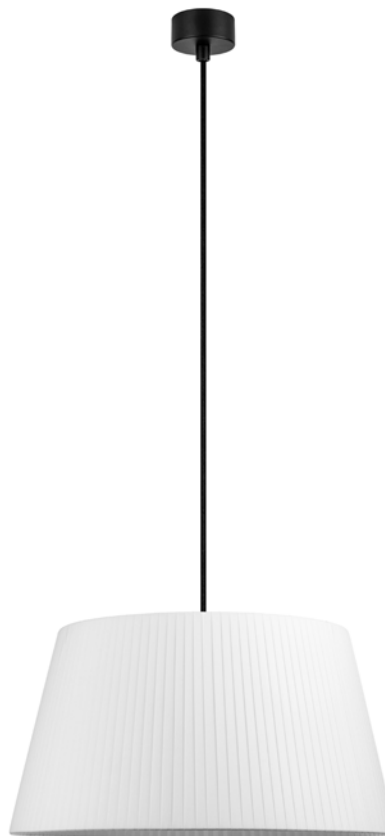
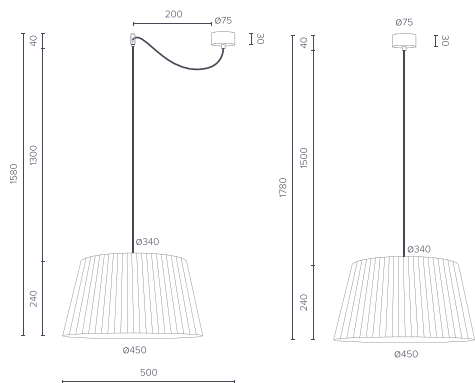
TECHNICAL INFORMATION

E-27 LED BULB MAX. 1 x 24 W



For a complete legend of symbols used in the catalogue see page I 70.

SILHOUETTE



AVAILABLE FINISH OPTIONS

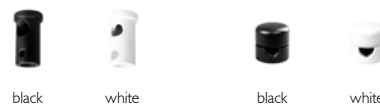
STEEL CEILING ROSE:



CEILING MOUNTED PLASTIC CABLE CLAMPS:



²CEILING MOUNTED METAL CABLE CLAMPS:



¹TEXTILE POWER CORD - STANDARD COLOURS:



¹For non-standard colours see page I 69 - available at an extra charge.

²For optional version see page I 69 - available at an extra charge.

TEXTILE:



NOTE:
Manufacturer reserves the right to discontinue, or change at any time, specifications or designs without our incurring any obligation or liability. Bulbs not included.

KAMI L 2_S

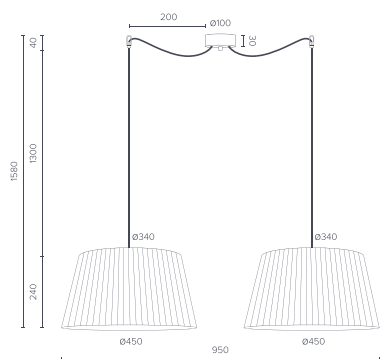
TECHNICAL INFORMATION

E-27 LED BULBS MAX. 2 x 24 W



For a complete legend of symbols used in the catalogue see page 170.

SILHOUETTE



AVAILABLE FINISH OPTIONS

STEEL CEILING ROSE:



black

white

CEILING MOUNTED PLASTIC CABLE CLAMPS:



black

white

²CEILING MOUNTED METAL CABLE CLAMPS:



black

white

black

white

¹TEXTILE POWER CORD - STANDARD COLOURS:



carbon black

white smoke

¹For non-standard colours see page 169 - available at an extra charge.

²For optional version see page 169 - available at an extra charge.

TEXTILE:



NOTE:
Manufacturer reserves the right to discontinue, or change at any time, specifications or designs without our incurring any obligation or liability. Bulbs not included.

KAMILI_F

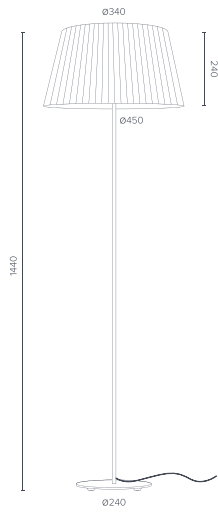
TECHNICAL INFORMATION

E-27 LED BULB MAX. 1 x 24 W



For a complete legend of symbols used in the catalogue see page 170.

SILHOUETTE



AVAILABLE FINISH OPTIONS

STEEL HARDWARE:



PVC POWER CORD:



transparent

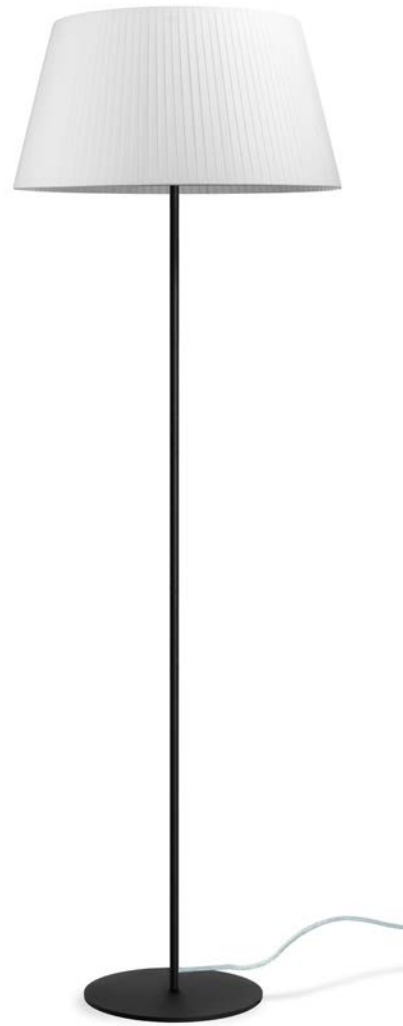
TEXTILE:

TEXTILE:



NOTE:

Manufacturer reserves the right to discontinue, or change at any time, specifications or designs without our incurring any obligation or liability. Bulbs not included.



KAMI XL I_S

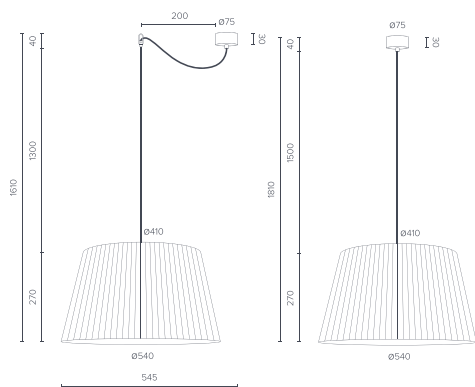
TECHNICAL INFORMATION

E-27 LED BULB MAX. 1 x 24 W



For a complete legend of symbols used in the catalogue see page I 70.

SILHOUETTE



AVAILABLE FINISH OPTIONS

STEEL CEILING ROSE:



black white

CEILING MOUNTED PLASTIC CABLE CLAMPS:



black white

²CEILING MOUNTED METAL CABLE CLAMPS:



black white black white

¹TEXTILE POWER CORD - STANDARD COLOURS:



carbon black white smoke

¹For non-standard colours see page I 69 - available at an extra charge.

²For optional version see page I 69 - available at an extra charge.

TEXTILE:



NOTE:
Manufacturer reserves the right to discontinue, or change at any time, specifications or designs without our incurring any obligation or liability. Bulbs not included.

KIREI



KIREI | CP



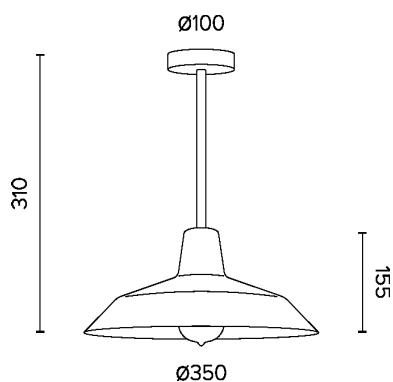
TECHNICAL INFORMATION

E-27 LED BULB MAX. 1 x 24 W



For a complete legend of symbols used in the catalogue see page 170.

SILHOUETTE



AVAILABLE FINISH OPTIONS

POWDER COATED ALUMINIUM:



black / black



black / imitation gold leaves



black / copper leaves



black / imitation silver leaves



white / white



white / imitation gold leaves



white / copper leaves



white / imitation silver leaves

KIREI I_S



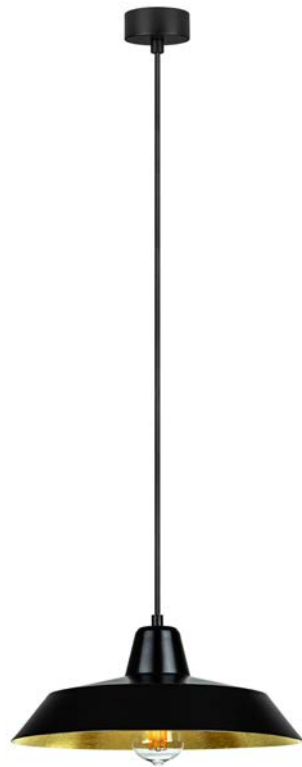
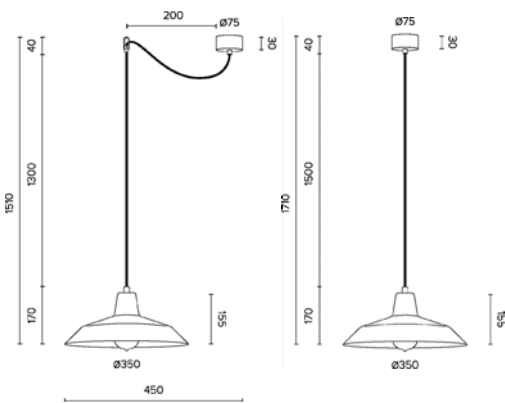
TECHNICAL INFORMATION

E-27 LED BULB MAX. 1 x 24 W



For a complete legend of symbols used in the catalogue see page 170.

SILHOUETTE



AVAILABLE FINISH OPTIONS

STEEL CEILING ROSE:



CEILING MOUNTED PLASTIC CABLE CLAMPS:



²CEILING MOUNTED METAL CABLE CLAMPS:



¹TEXTILE POWER CORD - STANDARD COLOURS:



¹For non-standard colours see page 169 - available at an extra charge.

²For optional version see page 169 - available at an extra charge.

POWDER COATED ALUMINIUM:



NOTE:
Manufacturer reserves the right to discontinue, or change at any time, specifications or designs without our incurring any obligation or liability. Bulbs not included.

KIREI 2_S

NOVELTY

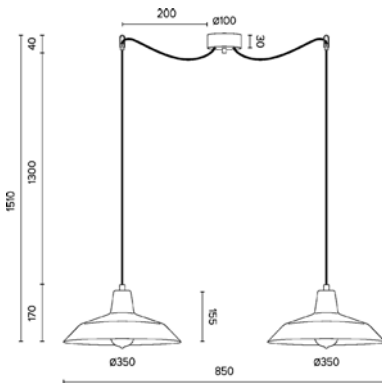
TECHNICAL INFORMATION

E-27 LED BULB MAX. 2 x 24 W



For a complete legend of symbols used in the catalogue see page 170.

SILHOUETTE



AVAILABLE FINISH OPTIONS

STEEL CEILING ROSE:



black white

CEILING MOUNTED PLASTIC CABLE CLAMPS:



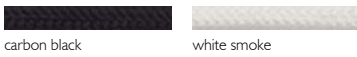
black white

²CEILING MOUNTED METAL CABLE CLAMPS:



black white black white

¹TEXTILE POWER CORD - STANDARD COLOURS:



carbon black white smoke

¹For non-standard colours see page 169 - available at an extra charge.

²For optional version see page 169 - available at an extra charge.

POWDER COATED ALUMINIUM:



black / black



black / imitation gold leaves



black / copper leaves



black / imitation silver leaves



white / white



white / imitation gold leaves



white / copper leaves



white / imitation silver leaves

NOTE:

Manufacturer reserves the right to discontinue, or change at any time, specifications or designs without our incurring any obligation or liability. Bulbs not included.

KIREI I_W



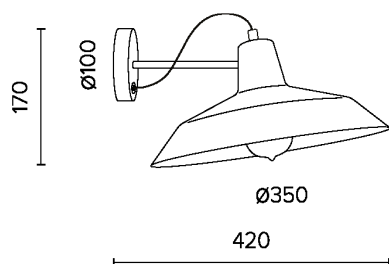
TECHNICAL INFORMATION

E-27 LED BULB MAX. 1 x 24 W



For a complete legend of symbols used in the catalogue see page 170.

SILHOUETTE



AVAILABLE FINISH OPTIONS

POWDER COATED ALUMINIUM:



black / black



black / imitation gold leaves



black / copper leaves



black / imitation silver leaves



white / white



white / imitation gold leaves



white / copper leaves



white / imitation silver leaves

MAKO



MAKO 3_C



TECHNICAL INFORMATION

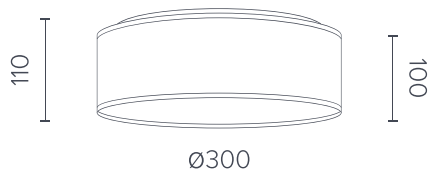
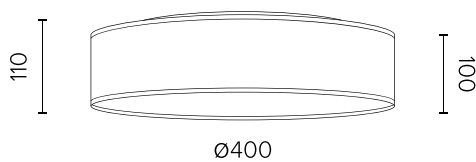
E-27 LED BULB MAX. 3 x 24 W



For a complete legend of symbols used in the catalogue see page I 70.



SILHOUETTE



AVAILABLE FINISH OPTIONS

POLYESTER WITH VLIESELINE LINING / POLYPROPYLENE DIFFUSER:



gold



silver

MAKO I_CP, 3_CP

NOVELTY

TECHNICAL INFORMATION

S I_CP - E-27 LED BULB MAX. 1 x 24 W

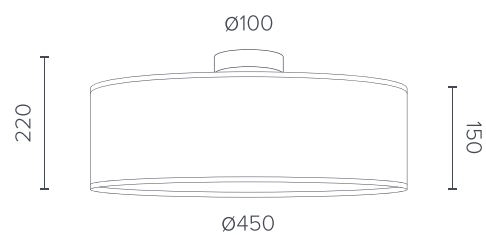
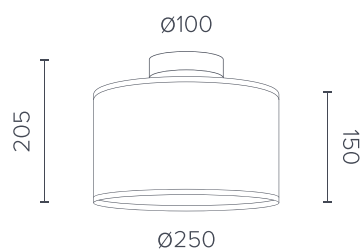
XL 3_CP - E-27 LED BULB MAX. 3 x 24 W



For a complete legend of symbols used in the catalogue see page 170.



SILHOUETTE



AVAILABLE FINISH OPTIONS

POLYESTER WITH VLIESELINE LINING:

S



black



mustard

POLYESTER WITH VLIESELINE LINING / POLYPROPYLENE DIFFUSER:

XL



gold



silver

NOTE:

Manufacturer reserves the right to discontinue, or change at any time, specifications or designs without our incurring any obligation or liability. Bulbs not included.

MAKO XL I_S

NOVELTY

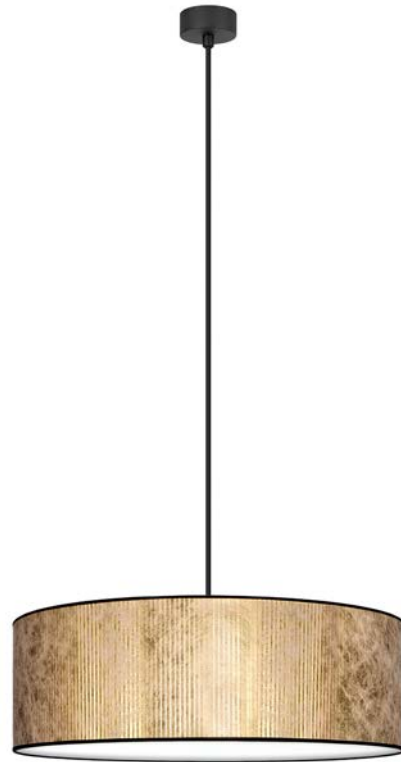
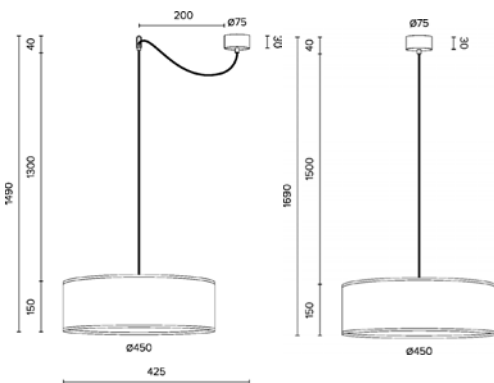
TECHNICAL INFORMATION

E-27 LED BULB MAX. 1 x 24 W



For a complete legend of symbols used in the catalogue see page 170.

SILHOUETTE



AVAILABLE FINISH OPTIONS

STEEL CEILING ROSE:



black white

CEILING MOUNTED PLASTIC CABLE CLAMPS:



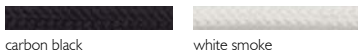
black white

²CEILING MOUNTED METAL CABLE CLAMPS:



black white black white

¹TEXTILE POWER CORD - STANDARD COLOURS:



carbon black white smoke

¹For non-standard colours see page 169 - available at an extra charge.

²For optional version see page 169 - available at an extra charge.

POLYESTER WITH VLIESELINE LINING / POLYPROPYLENE DIFFUSER:



gold

silver

NOTE:

Manufacturer reserves the right to discontinue, or change at any time, specifications or designs without our incurring any obligation or liability. Bulbs not included.

MAKO XL 2_S

NOVELTY

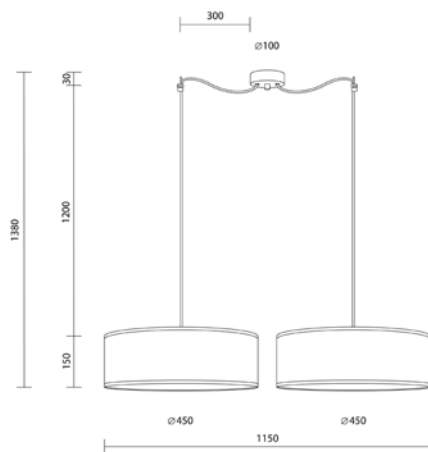
TECHNICAL INFORMATION

E-27 LED BULB MAX. 2 x 24 W



For a complete legend of symbols used in the catalogue see page 170.

SILHOUETTE



AVAILABLE FINISH OPTIONS

STEEL CEILING ROSE:



black

white

CEILING MOUNTED PLASTIC CABLE CLAMPS:



black

white

²CEILING MOUNTED METAL CABLE CLAMPS:



black

white

black

white

¹TEXTILE POWER CORD - STANDARD COLOURS:



carbon black

white smoke

¹For non-standard colours see page 169 - available at an extra charge.

²For optional version see page 169 - available at an extra charge.

POLYESTER WITH VLIESELINE LINING / POLYPROPYLENE DIFFUSER:



gold

silver

NOTE:

Manufacturer reserves the right to discontinue, or change at any time, specifications or designs without our incurring any obligation or liability. Bulbs not included.

MAKO SILT



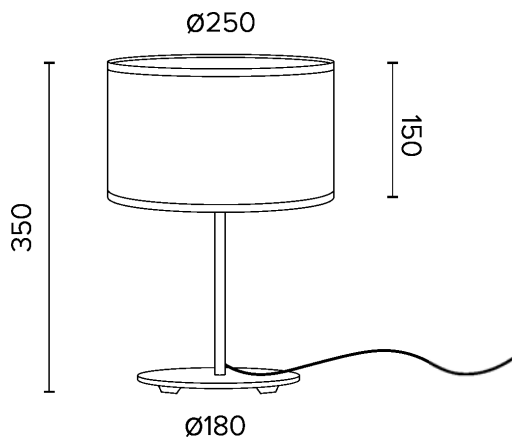
TECHNICAL INFORMATION

E-27 LED BULB MAX. 1 x 24 W



For a complete legend of symbols used in the catalogue see page 170.

SILHOUETTE



AVAILABLE FINISH OPTIONS

STEEL HARDWARE:



PVC POWER CORD:



POIYESTFR WITH VLIJSFI INF I INING:



NOTE:
Manufacturer reserves the right to discontinue, or change at any time, specifications or designs without our incurring any obligation or liability. Bulbs not included.

MAKO XL I_F



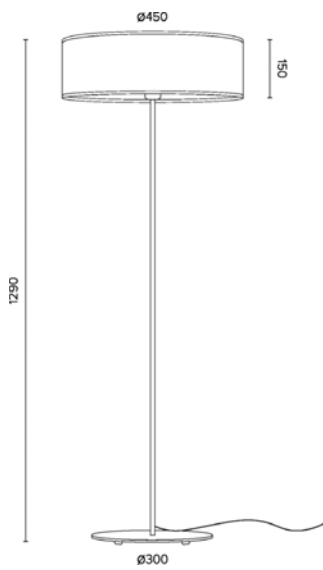
TECHNICAL INFORMATION

E-27 LED BULB MAX. 1 x 24 W



For a complete legend of symbols used in the catalogue see page 170.

SILHOUETTE



AVAILABLE FINISH OPTIONS

STEEL HARDWARE:



black

PVC POWER CORD:



transparent

LPOLYESTER WITH VLIESELINE LINING:

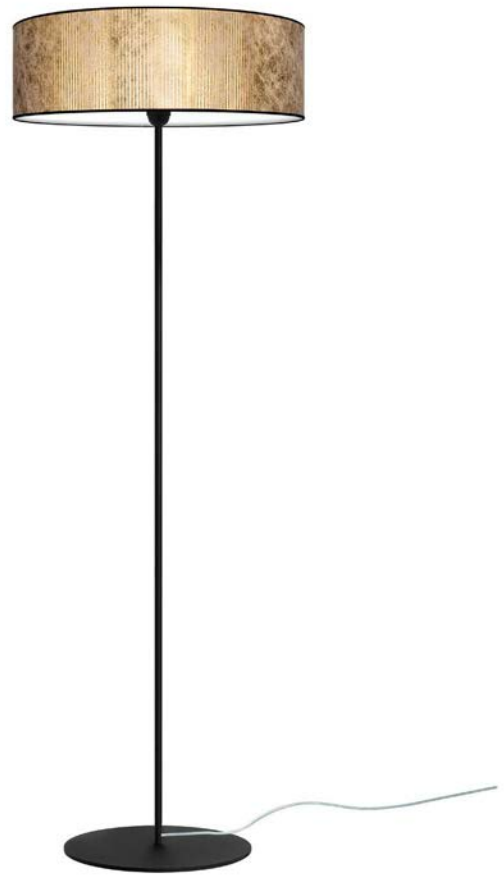


gold



silver

NOTE:
Manufacturer reserves the right to discontinue, or change at any time, specifications or designs without our incurring any obligation or liability. Bulbs not included.



MATO



MATO 1_C, 2_C, 3_C

TECHNICAL INFORMATION

E-27 LED BULB MAX. 1 x 24 W (XS)
E-27 LED BULB MAX. 2 x 24 W (S)
E-27 LED BULB MAX. 3 x 24 W (M,L,XL)



For a complete legend of symbols used in the catalogue see page 170.



SILHOUETTE

XS



S



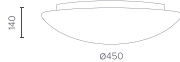
M



L



XL



AVAILABLE FINISH OPTIONS

GLASS LAMPSHADE:



matte opal

MIKA



MIKA 3_C

TECHNICAL INFORMATION

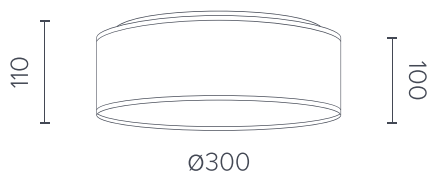
E-27 LED BULBS MAX. 3 x 11 W



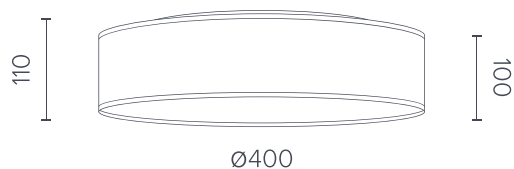
For a complete legend of symbols used in the catalogue see page 170.

SILHOUETTE

M



L



AVAILABLE FINISH OPTIONS

LAMINATED FABRIC / POLYPROPYLENE DIFFUSER:



black



white



MIKA 2019 | CP

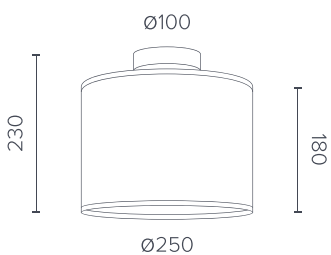
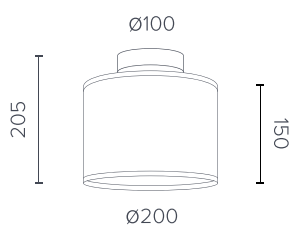
TECHNICAL INFORMATION

E-27 LED BULB MAX. 1 x 24 W



For a complete legend of symbols used in the catalogue see page 170.

SILHOUETTE



AVAILABLE FINISH OPTIONS

LAMINATED FABRIC:



black



white



black /
copper leaves



black / imitation
gold leaves



black / imitation
silver leaves



white /
copper leaves



white / imitation
gold leaves



white / imitation
silver leaves

NOTE:

Manufacturer reserves the right to discontinue, or change at any time, specifications or designs without our incurring any obligation or liability. Bulbs not included.

MIKA M 2019 I _ S

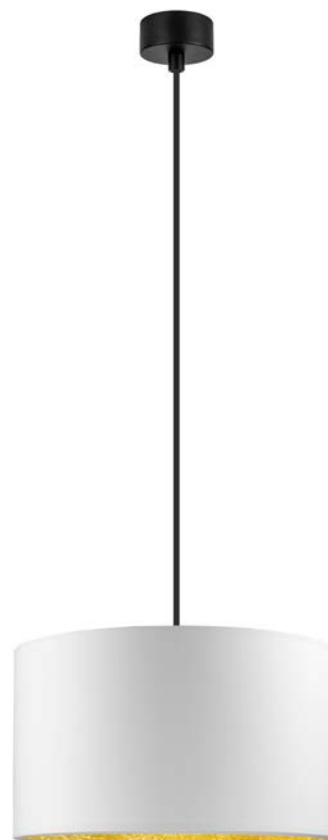
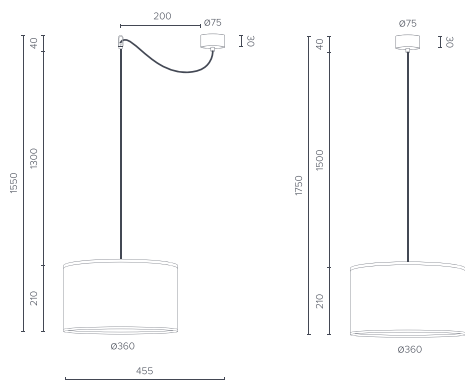
TECHNICAL INFORMATION

E-27 LED BULB MAX. 1 x 24 W



For a complete legend of symbols used in the catalogue see page I 70.

SILHOUETTE



AVAILABLE FINISH OPTIONS

STEEL CEILING ROSE:



black white

CEILING MOUNTED PLASTIC CABLE CLAMPS:



black white

²CEILING MOUNTED METAL CABLE CLAMPS:



black white black white

¹TEXTILE POWER CORD - STANDARD COLOURS:



carbon black white smoke

¹For non-standard colours see page I 69 - available at an extra charge.

²For optional version see page I 69 - available at an extra charge.

LAMINATED FABRIC:



black white

black / copper leaves black / imitation gold leaves black / imitation silver leaves white / copper leaves white / imitation gold leaves white / imitation silver leaves

NOTE: Manufacturer reserves the right to discontinue, or change at any time, specifications or designs without our incurring any obligation or liability. Bulbs not included.

MIKA M 2019 2_S

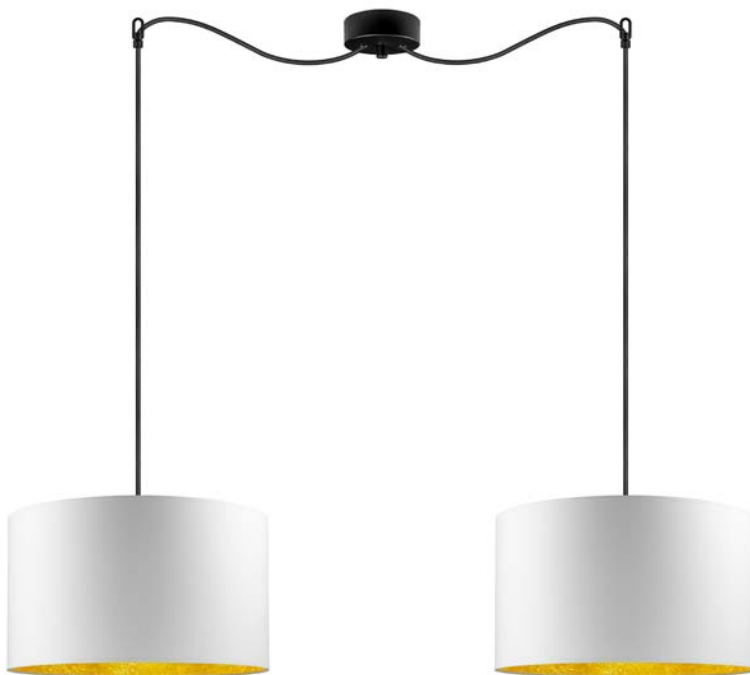
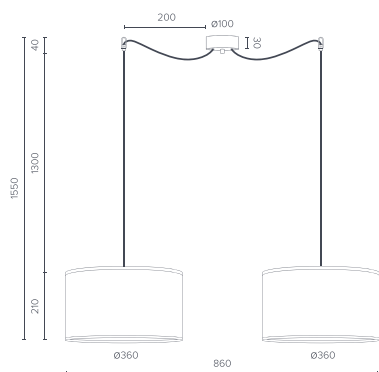
TECHNICAL INFORMATION

E-27 LED BULBS MAX. 2 x 24 W



For a complete legend of symbols used in the catalogue see page 170.

SILHOUETTE



AVAILABLE FINISH OPTIONS

STEEL CEILING ROSE:



black

white

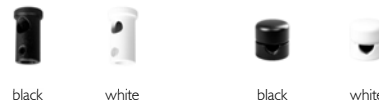
CEILING MOUNTED PLASTIC CABLE CLAMPS:



black

white

²CEILING MOUNTED METAL CABLE CLAMPS:



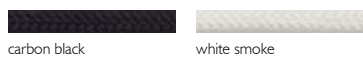
black

white

black

white

¹TEXTILE POWER CORD - STANDARD COLOURS:



carbon black

white smoke

¹For non-standard colours see page 169 - available at an extra charge.

²For optional version see page 169 - available at an extra charge.

LAMINATED FABRIC:



black

white

black /
copper leaves

black / imitation
gold leaves

black / imitation
silver leaves

white /
copper leaves

white / imitation
gold leaves

white / imitation
silver leaves

NOTE:
Manufacturer reserves the right to discontinue, or change at any time, specifications or designs without our incurring any obligation or liability. Bulbs not included.

MIKA L 2019 I_S

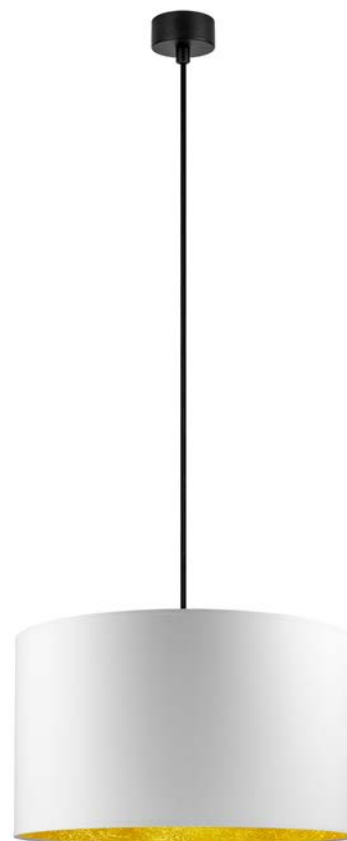
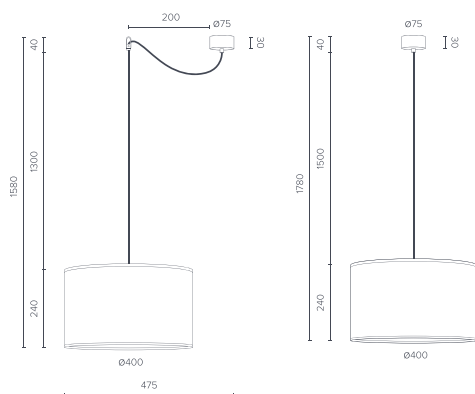
TECHNICAL INFORMATION

E-27 LED BULB MAX. 1 x 24 W



For a complete legend of symbols used in the catalogue see page I 70.

SILHOUETTE



AVAILABLE FINISH OPTIONS

STEEL CEILING ROSE:



black white

CEILING MOUNTED PLASTIC CABLE CLAMPS:



black white

²CEILING MOUNTED METAL CABLE CLAMPS:



black white black white

¹TEXTILE POWER CORD - STANDARD COLOURS:



carbon black white smoke

¹For non-standard colours see page I 69 - available at an extra charge.

²For optional version see page I 69 - available at an extra charge.

LAMINATED FABRIC:



NOTE: Manufacturer reserves the right to discontinue, or change at any time, specifications or designs without our incurring any obligation or liability. Bulbs not included.

MIKA L 2019 2_S

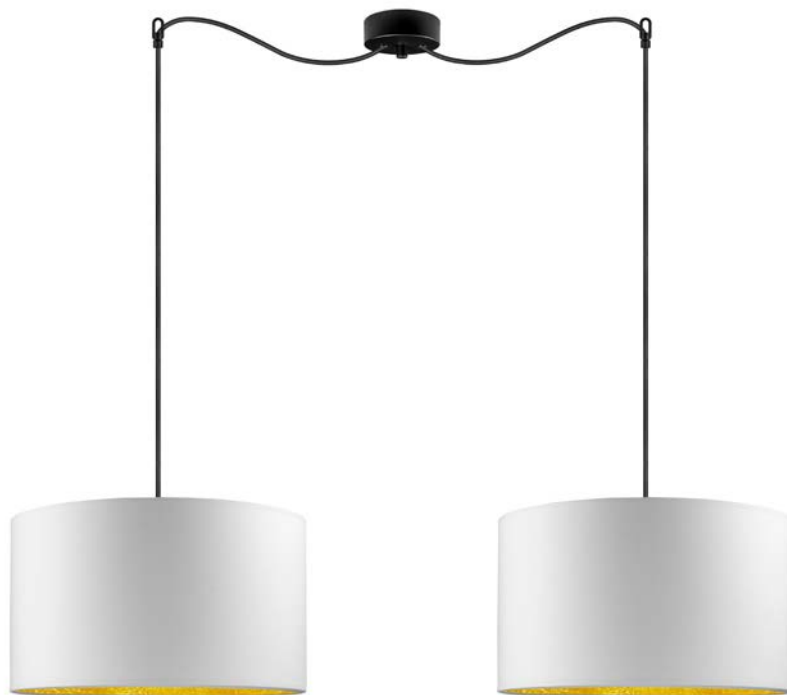
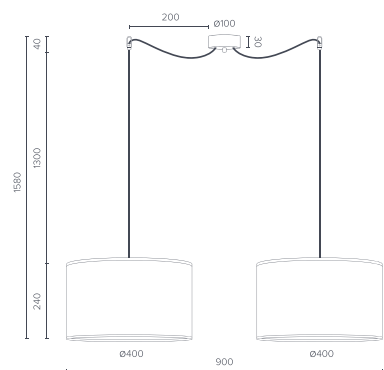
TECHNICAL INFORMATION

E-27 LED BULBS MAX. 2 x 24 W



For a complete legend of symbols used in the catalogue see page I 70.

SILHOUETTE



AVAILABLE FINISH OPTIONS

STEEL CEILING ROSE:



black

white

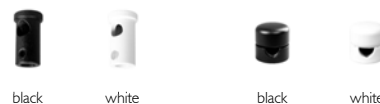
CEILING MOUNTED PLASTIC CABLE CLAMPS:



black

white

²CEILING MOUNTED METAL CABLE CLAMPS:



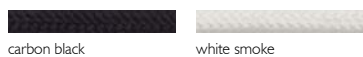
black

white

black

white

¹TEXTILE POWER CORD - STANDARD COLOURS:



carbon black

white smoke

¹For non-standard colours see page I 69 - available at an extra charge.

²For optional version see page I 69 - available at an extra charge.

LAMINATED FABRIC:



black

white

black /
copper leaves

black / imitation
gold leaves

black / imitation
silver leaves

white /
copper leaves

white / imitation
gold leaves

white / imitation
silver leaves

NOTE: Manufacturer reserves the right to discontinue, or change at any time, specifications or designs without our incurring any obligation or liability. Bulbs not included.

MIKA XL 2019 I_S

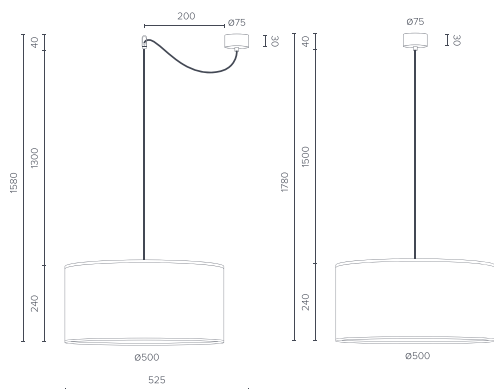
TECHNICAL INFORMATION

E-27 LED BULB MAX. 1 x 24 W



For a complete legend of symbols used in the catalogue see page I 70.

SILHOUETTE



AVAILABLE FINISH OPTIONS

STEEL CEILING ROSE:



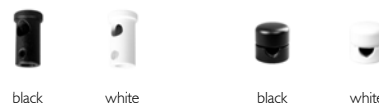
black white

CEILING MOUNTED PLASTIC CABLE CLAMPS:



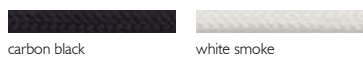
black white

²CEILING MOUNTED METAL CABLE CLAMPS:



black white black white

¹TEXTILE POWER CORD - STANDARD COLOURS:



carbon black white smoke

¹For non-standard colours see page I 69 - available at an extra charge.

²For optional version see page I 69 - available at an extra charge.

LAMINATED FABRIC:



NOTE: Manufacturer reserves the right to discontinue, or change at any time, specifications or designs without our incurring any obligation or liability. Bulbs not included.

MIKA M 2019 I_T

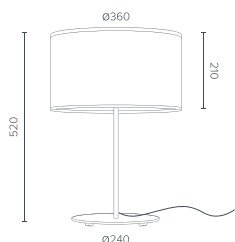
TECHNICAL INFORMATION

E-27 LED BULB MAX. 1 x 24 W



For a complete legend of symbols used in the catalogue see page I 70.

SILHOUETTE



AVAILABLE FINISH OPTIONS

STEEL HARDWARE:



PVC POWER CORD:



transparent

LAMINATED FABRIC:



NOTE:

Manufacturer reserves the right to discontinue, or change at any time, specifications or designs without our incurring any obligation or liability. Bulbs not included.

MIKA 2019 I_F

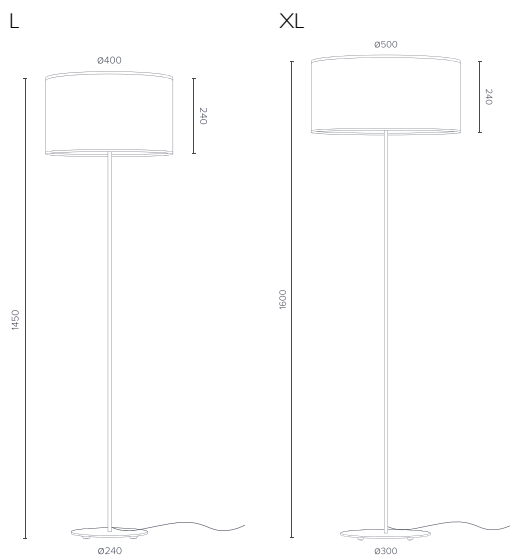
TECHNICAL INFORMATION

E-27 LED BULB MAX. 1 x 24 W



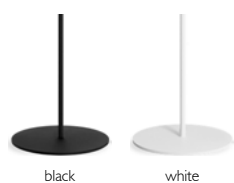
For a complete legend of symbols used in the catalogue see page 170.

SILHOUETTE



AVAILABLE FINISH OPTIONS

STEEL HARDWARE:



PVC POWER CORD:



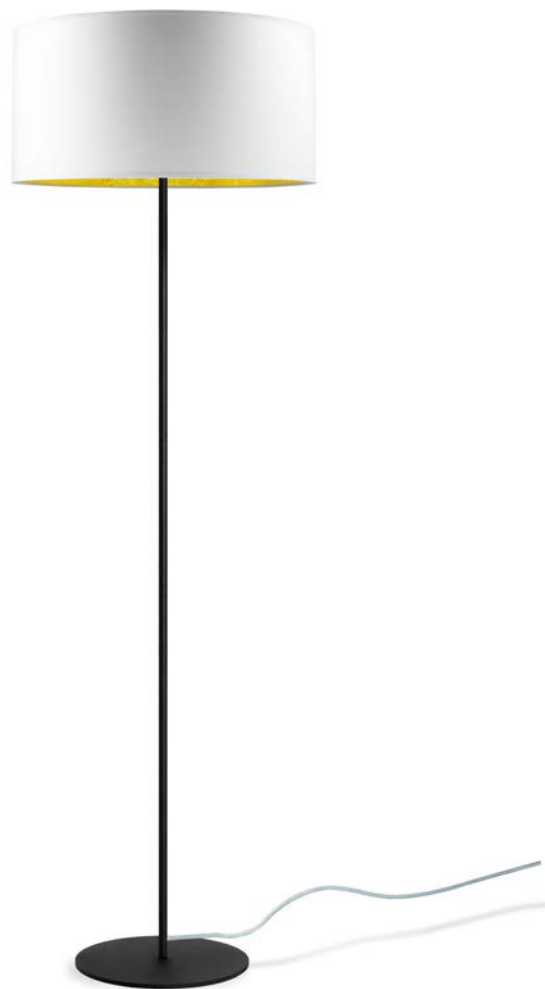
transparent

LAMINATED FABRIC:



NOTE:

Manufacturer reserves the right to discontinue, or change at any time, specifications or designs without our incurring any obligation or liability. Bulbs not included.



MIKA | CP



TECHNICAL INFORMATION

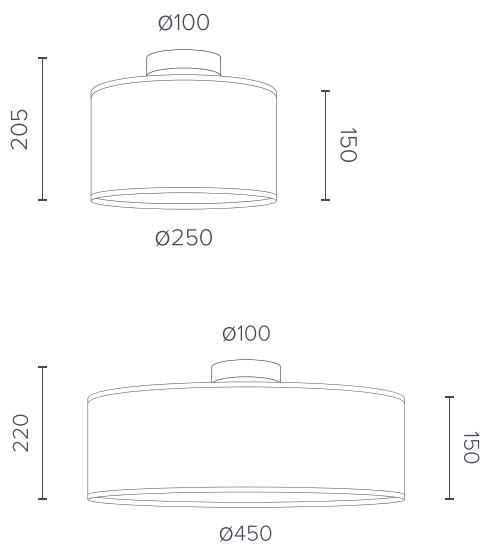
E-27 LED BULB MAX. 1 x 24 W



For a complete legend of symbols used in the catalogue see page 170.



SILHOUETTE



AVAILABLE FINISH OPTIONS

LAMINATED FABRIC:

S



XL



NOTE: Manufacturer reserves the right to discontinue, or change at any time, specifications or designs without our incurring any obligation or liability. Bulbs not included.

MIKA XL I_S



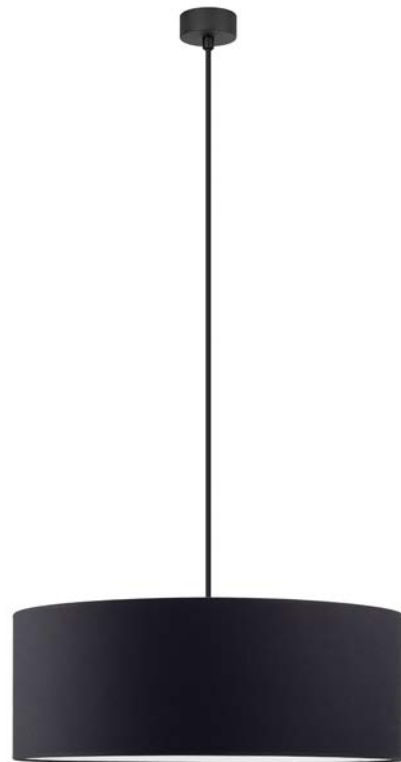
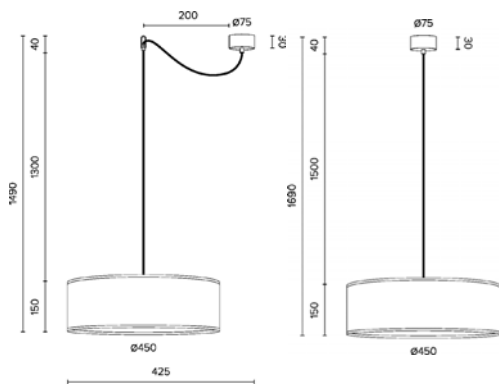
TECHNICAL INFORMATION

E-27 LED BULB MAX. 1 x 24 W



For a complete legend of symbols used in the catalogue see page 170.

SILHOUETTE



AVAILABLE FINISH OPTIONS

STEEL CEILING ROSE:



CEILING MOUNTED PLASTIC CABLE CLAMPS:



²CEILING MOUNTED METAL CABLE CLAMPS:



¹TEXTILE POWER CORD - STANDARD COLOURS:



¹For non-standard colours see page 169 - available at an extra charge.

²For optional version see page 169 - available at an extra charge.

LAMINATED FABRIC:



NOTE: Manufacturer reserves the right to discontinue, or change at any time, specifications or designs without our incurring any obligation or liability. Bulbs not included.

MIKA XL 2_S

NOVELTY

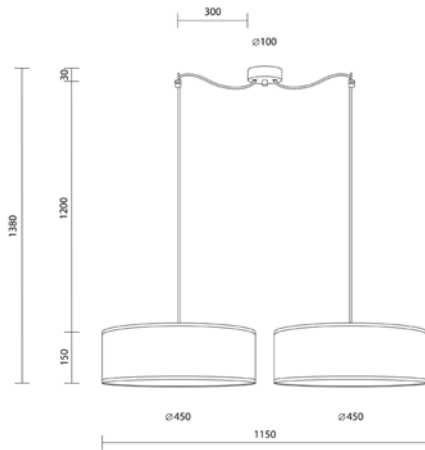
TECHNICAL INFORMATION

E-27 LED BULB MAX. 2 x 24 W



For a complete legend of symbols used in the catalogue see page 170.

SILHOUETTE



AVAILABLE FINISH OPTIONS

STEEL CEILING ROSE:



black white

CEILING MOUNTED PLASTIC CABLE CLAMPS:



black white

²CEILING MOUNTED METAL CABLE CLAMPS:



black white black white

¹TEXTILE POWER CORD - STANDARD COLOURS:



carbon black white smoke

¹For non-standard colours see page 169 - available at an extra charge.

²For optional version see page 169 - available at an extra charge.

LAMINATED FABRIC:



black



black / imitation gold leaves



black / copper leaves



black / imitation silver leaves



white



white / imitation gold leaves



white / copper leaves



white / imitation silver leaves

NOTE:

Manufacturer reserves the right to discontinue, or change at any time, specifications or designs without our incurring any obligation or liability. Bulbs not included.

MIKA S I T



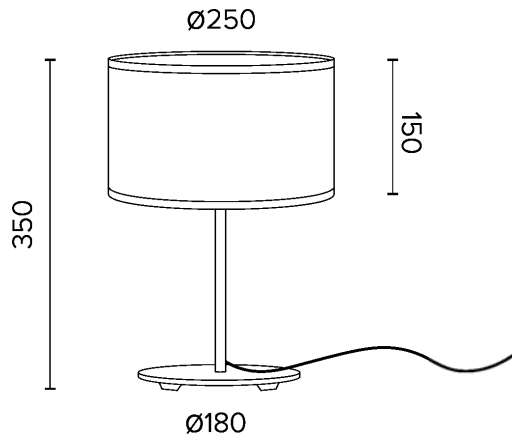
TECHNICAL INFORMATION

E-27 LED BULB MAX. 1 x 24 W



For a complete legend of symbols used in the catalogue see page 170.

SILHOUETTE



AVAILABLE FINISH OPTIONS

STEEL HARDWARE:



PVC POWER CORD:



LAMINATED FABRIC:



NOTE:
Manufacturer reserves the right to discontinue, or change at any time, specifications or designs without our incurring any obligation or liability. Bulbs not included.

MIKA XL I_F



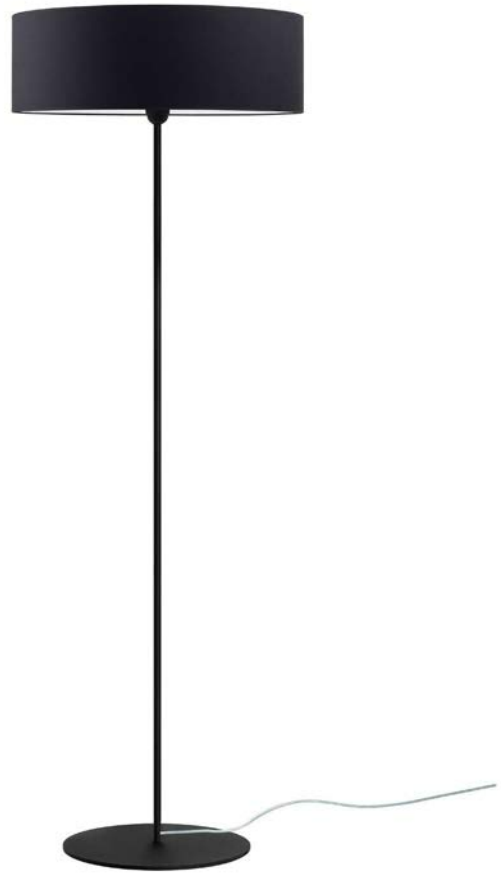
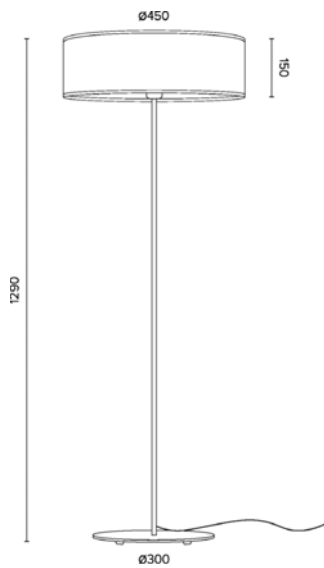
TECHNICAL INFORMATION

E-27 LED BULB MAX. 1 x 24 W



For a complete legend of symbols used in the catalogue see page 170.

SILHOUETTE



AVAILABLE FINISH OPTIONS

STEEL HARDWARE:



PVC POWER CORD:



LAMINATED FABRIC:



NOTE: Manufacturer reserves the right to discontinue, or change at any time, specifications or designs without our incurring any obligation or liability. Bulbs not included.

MOMO



MOMO I_S

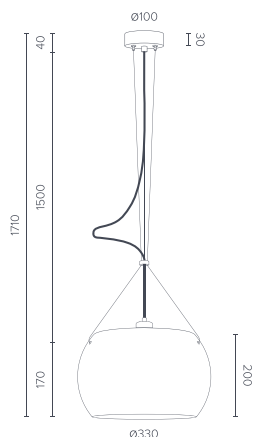
TECHNICAL INFORMATION

E-27 LED BULB MAX. 1 x 24 W



For a complete legend of symbols used in the catalogue see page 170.

SILHOUETTE



AVAILABLE FINISH OPTIONS

STEEL CEILING ROSE:



black

white

*TEXTILE POWER CORD - STANDARD COLOURS:

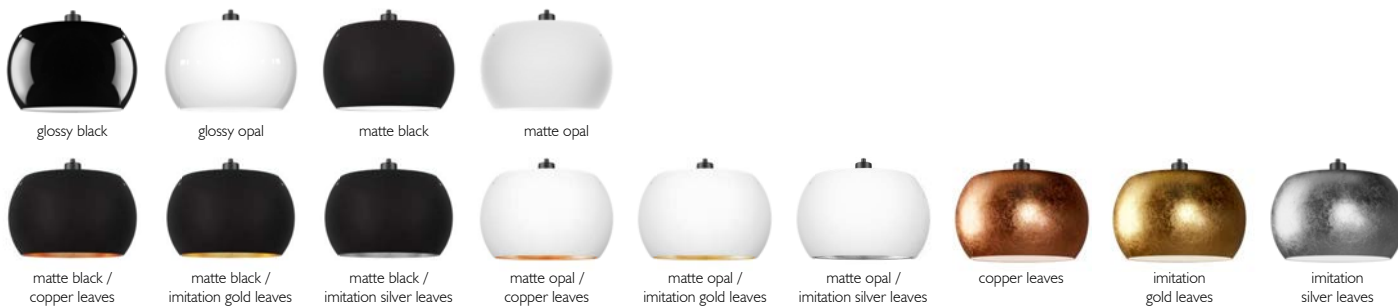


carbon black

white smoke

*For non-standard colours see page 169 - available at an extra charge.

GLASS LAMPSHADE:



NOTE:

Manufacturer reserves the right to discontinue, or change at any time, specifications or designs without our incurring any obligation or liability. Bulbs not included.

MOMO 2_S

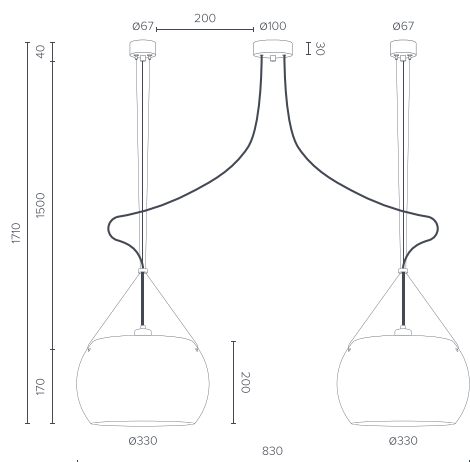
TECHNICAL INFORMATION

E-27 LED BULBS MAX. 2 x 24 W



For a complete legend of symbols used in the catalogue see page 170.

SILHOUETTE



AVAILABLE FINISH OPTIONS

STEEL CEILING ROSE:



*TEXTILE POWER CORD - STANDARD COLOURS:



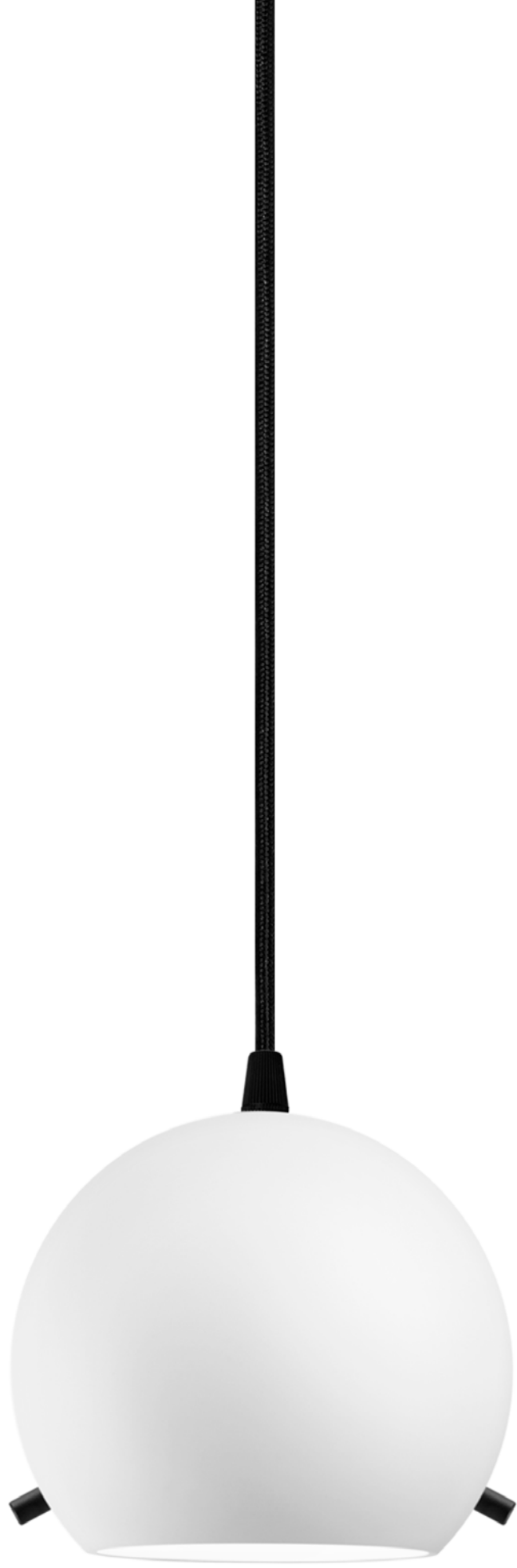
*For non-standard colours see page 169 - available at an extra charge.

GLASS LAMPSHADE:



NOTE: Manufacturer reserves the right to discontinue, or change at any time, specifications or designs without our incurring any obligation or liability. Bulbs not included.

MYOO



MYOO I_CP

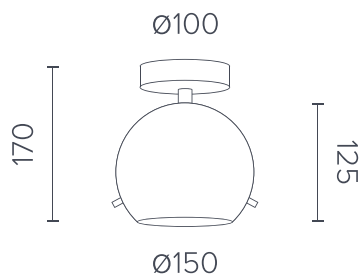
TECHNICAL INFORMATION

E-14 LED BULB MAX. 1 x 12 W



For a complete legend of symbols used in the catalogue see page 170.

SILHOUETTE



AVAILABLE FINISH OPTIONS

GLASS LAMPSHADE / STEEL HARDWARE:



glossy black



glossy opal



matte black



matte opal



copper leaves



imitation gold leaves



imitation silver leaves

NOTE:

Manufacturer reserves the right to discontinue, or change at any time, specifications or designs without our incurring any obligation or liability. Bulbs not included.

MYOO I_S

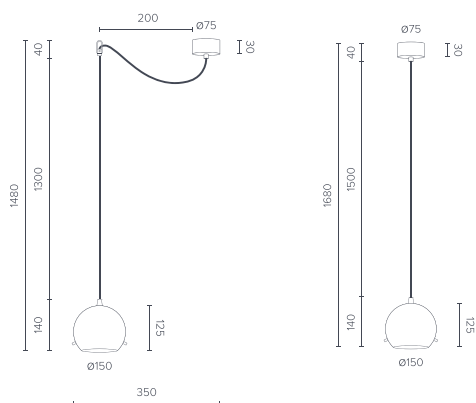
TECHNICAL INFORMATION

E-14 LED BULB MAX. 1 x 12 W



For a complete legend of symbols used in the catalogue see page 170.

SILHOUETTE



AVAILABLE FINISH OPTIONS

STEEL CEILING ROSE:



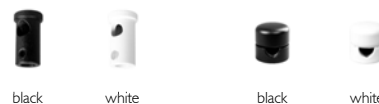
black white

CEILING MOUNTED PLASTIC CABLE CLAMPS:



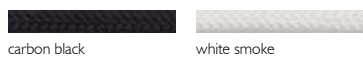
black white

²CEILING MOUNTED METAL CABLE CLAMPS:



black white black white

¹TEXTILE POWER CORD - STANDARD COLOURS:

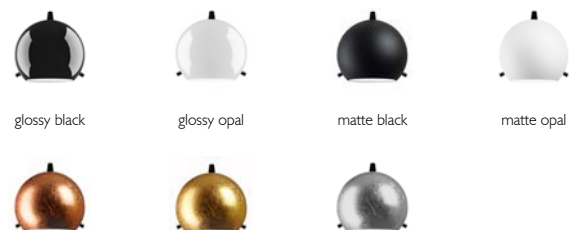


carbon black white smoke

¹For non-standard colours see page 169 - available at an extra charge.

²For optional version see page 169 - available at an extra charge.

GLASS LAMPSHADE:



glossy black glossy opal matte black matte opal

copper leaves imitation gold leaves imitation silver leaves

NOTE:
Manufacturer reserves the right to discontinue, or change at any time, specifications or designs without our incurring any obligation or liability. Bulbs not included.

MYOO B 3_S

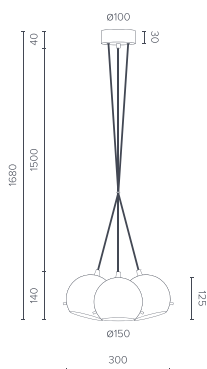
TECHNICAL INFORMATION

E-14 LED BULBS MAX. 3 x 12 W



For a complete legend of symbols used in the catalogue see page 170.

SILHOUETTE



AVAILABLE FINISH OPTIONS

STEEL CEILING ROSE:



black

white

CEILING MOUNTED PLASTIC CABLE CLAMPS:



black

white

²CEILING MOUNTED METAL CABLE CLAMPS:



black

white

black

white

¹TEXTILE POWER CORD - STANDARD COLOURS:



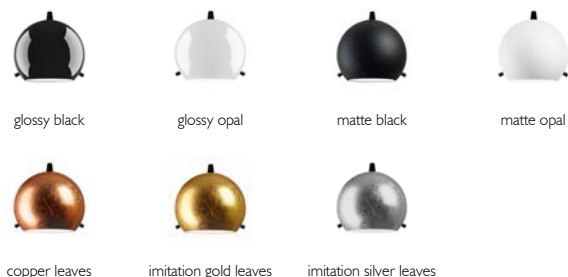
carbon black

white smoke

¹For non-standard colours see page 169 - available at an extra charge.

²For optional version see page 169 - available at an extra charge.

GLASS LAMPSHADE:



glossy black

glossy opal

matte black

matte opal

copper leaves

imitation gold leaves

imitation silver leaves

NOTE:

Manufacturer reserves the right to discontinue, or change at any time, specifications or designs without our incurring any obligation or liability. Bulbs not included.

REI



REI | CP



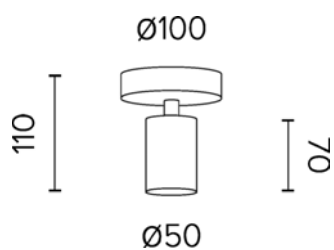
TECHNICAL INFORMATION

E-27 LED BULB MAX. 1 x 24 W



For a complete legend of symbols used in the catalogue see page 170.

SILHOUETTE



AVAILABLE FINISH OPTIONS

POWDER COATED STEEL:



black / black



black / imitation gold leaves



black / copper leaves



black / imitation silver leaves



white / white



white / imitation gold leaves



white / copper leaves



white / imitation silver leaves

REI 3_S



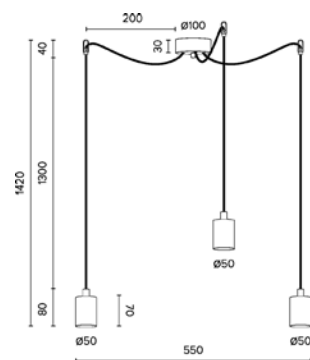
TECHNICAL INFORMATION

E-27 LED BULBS MAX. 3 x 24 W



For a complete legend of symbols used in the catalogue see page 170.

SILHOUETTE



AVAILABLE FINISH OPTIONS

STEEL CEILING ROSE:



CEILING MOUNTED PLASTIC CABLE CLAMPS:



²CEILING MOUNTED METAL CABLE CLAMPS:



[†]TEXTILE POWER CORD - STANDARD COLOURS:



[†]For non-standard colours see page 169 - available at an extra charge.



²For optional version see page 169 - available at an extra charge.

POWDER COATED STEEL:



REI 5_S



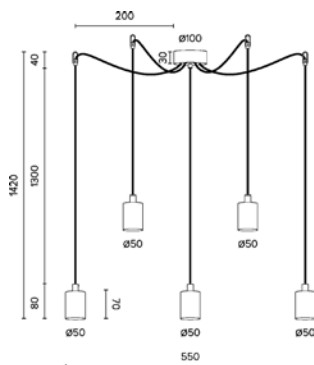
TECHNICAL INFORMATION

E-27 LED BULBS MAX. 5 x 24 W



For a complete legend of symbols used in the catalogue see page 170.

SILHOUETTE



AVAILABLE FINISH OPTIONS

STEEL CEILING ROSE:



black

white

CEILING MOUNTED PLASTIC CABLE CLAMPS:



black

white

²CEILING MOUNTED METAL CABLE CLAMPS:

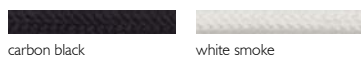


black

white

matte nickel

¹TEXTILE POWER CORD - STANDARD COLOURS:



carbon black

white smoke

¹For non-standard colours see page 169 - available at an extra charge.



black

white

matte brass

matte copper

matte nickel

²For optional version see page 169 - available at an extra charge.

POWDER COATED STEEL:



black

white

imitation gold leaves

copper leaves

imitation silver leaves

REI | W



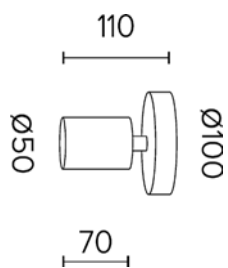
TECHNICAL INFORMATION

E-27 LED BULB MAX. 1 x 24 W



For a complete legend of symbols used in the catalogue see page 170.

SILHOUETTE



AVAILABLE FINISH OPTIONS

POWDER COATED STEEL:



black / black



black / imitation gold leaves



black / copper leaves



black / imitation silver leaves



white / white



white / imitation gold leaves



white / copper leaves



white / imitation silver leaves

TAIKO



TAIKO XL I_CP

NOVELTY

TECHNICAL INFORMATION

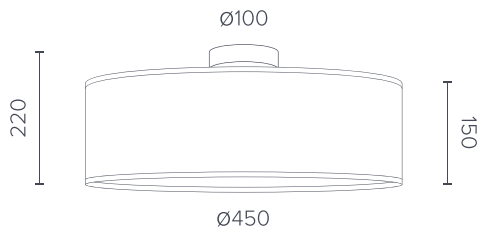
E-27 LED BULB MAX. 1 x 24 W



For a complete legend of symbols used in the catalogue see page 170.



SILHOUETTE



AVAILABLE FINISH OPTIONS

PARCHMENT PAPER :

XL



NOTE:
Manufacturer reserves the right to discontinue, or change at any time, specifications or designs without our incurring any obligation or liability. Bulbs not included.

TAIKO S | CP

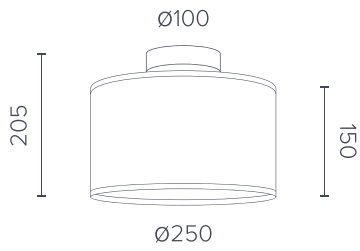
TECHNICAL INFORMATION

E-27 LED BULB MAX. 1 x 24 W



For a complete legend of symbols used in the catalogue see page 170.

SILHOUETTE



AVAILABLE FINISH OPTIONS

PARCHMENT PAPER:



NOTE:
Manufacturer reserves the right to discontinue, or change at any time, specifications or designs without our incurring any obligation or liability. Bulbs not included.

TAIKO XL I_S

NOVELTY

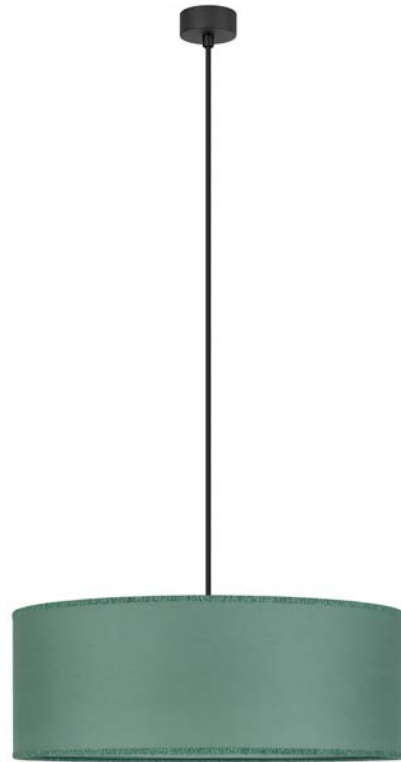
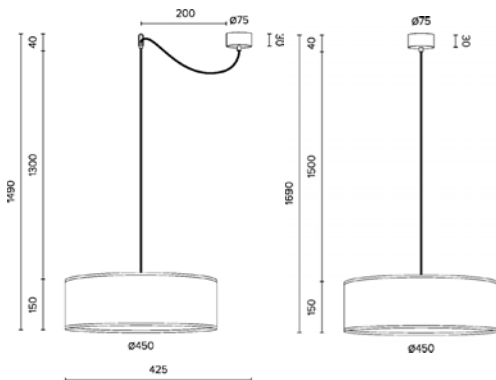
TECHNICAL INFORMATION

E-27 LED BULB MAX. 1 x 24 W



For a complete legend of symbols used in the catalogue see page 170.

SILHOUETTE



AVAILABLE FINISH OPTIONS

STEEL CEILING ROSE:



black white

CEILING MOUNTED PLASTIC CABLE CLAMPS:



black white

²CEILING MOUNTED METAL CABLE CLAMPS:



black white black white

²For optional version see page 169 - available at an extra charge.

¹TEXTILE POWER CORD - STANDARD COLOURS:



carbon black white smoke

¹For non-standard colours see page 169 - available at an extra charge.

PARCHMENT PAPER:



NOTE: Manufacturer reserves the right to discontinue, or change at any time, specifications or designs without our incurring any obligation or liability. Bulbs not included.

TAIKO XL 2_S

NOVELTY

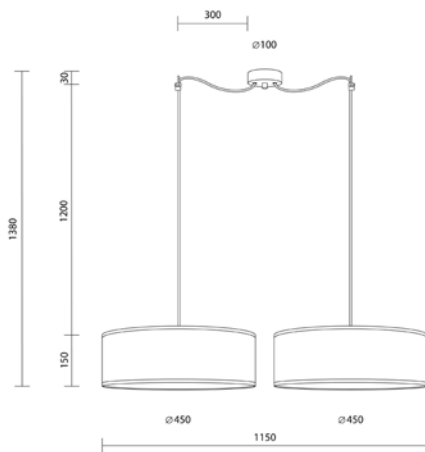
TECHNICAL INFORMATION

E-27 LED BULB MAX. 2 x 24 W



For a complete legend of symbols used in the catalogue see page 170.

SILHOUETTE



AVAILABLE FINISH OPTIONS

STEEL CEILING ROSE:



black

white

CEILING MOUNTED PLASTIC CABLE CLAMPS:



black

white

²CEILING MOUNTED METAL CABLE CLAMPS:



black

white

black

white

²For optional version see page 169 - available at an extra charge.

¹TEXTILE POWER CORD - STANDARD COLOURS:



carbon black

white smoke

¹For non-standard colours see page 169 - available at an extra charge.

PARCHMENT PAPER:



NOTE:

Manufacturer reserves the right to discontinue, or change at any time, specifications or designs without our incurring any obligation or liability. Bulbs not included.

TAIKO S I T

NOVELTY

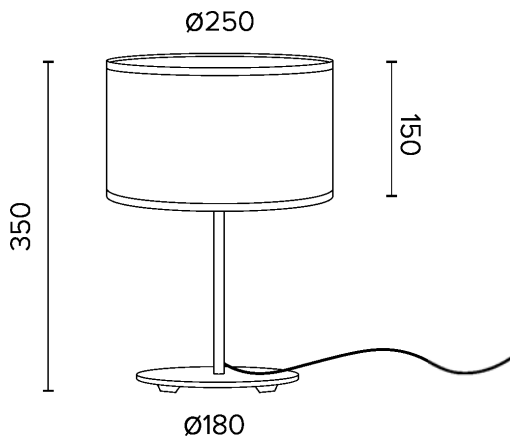
TECHNICAL INFORMATION

E-27 LED BULB MAX. 1 x 24 W



For a complete legend of symbols used in the catalogue see page 170.

SILHOUETTE



AVAILABLE FINISH OPTIONS

STEEL HARDWARE:



black

PVC POWER CORD:



transparent

PARCHMENT PAPER:



NOTE:

Manufacturer reserves the right to discontinue, or change at any time, specifications or designs without our incurring any obligation or liability. Bulbs not included.

TAIKO XL I_F

NOVELTY

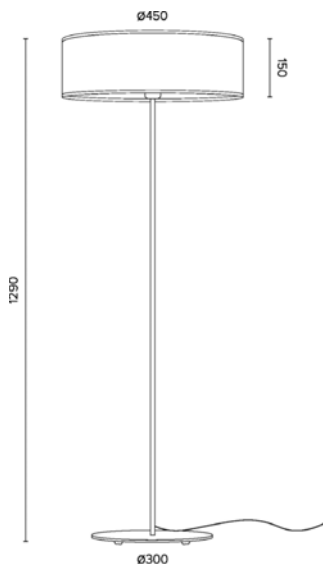
TECHNICAL INFORMATION

E-27 LED BULB MAX. 1 x 24 W



For a complete legend of symbols used in the catalogue see page 170.

SILHOUETTE



AVAILABLE FINISH OPTIONS

STEEL HARDWARE:



black

PVC POWER CORD:



transparent

PARCHMENT PAPER:



NOTE:

Manufacturer reserves the right to discontinue, or change at any time, specifications or designs without our incurring any obligation or liability. Bulbs not included.

TSUKI



TSUKI S I_S

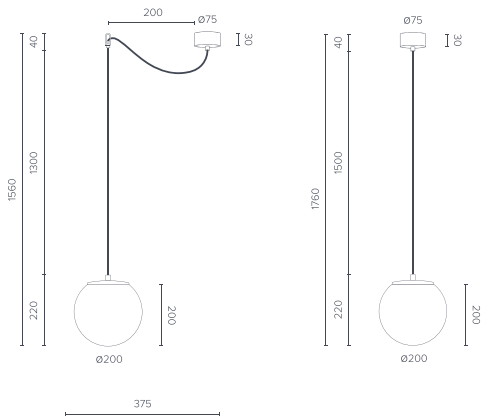
TECHNICAL INFORMATION

E-27 LED BULB MAX. 1 x 24 W



For a complete legend of symbols used in the catalogue see page I 70.

SILHOUETTE



AVAILABLE FINISH OPTIONS

STEEL CEILING ROSE:



black white

CEILING MOUNTED PLASTIC CABLE CLAMPS:



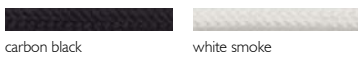
black white

²CEILING MOUNTED METAL CABLE CLAMPS:



black white black white

¹TEXTILE POWER CORD - STANDARD COLOURS:



carbon black

white smoke

¹For non-standard colours see page I 69 - available at an extra charge.

²For optional version see page I 69 - available at an extra charge.

GLASS LAMPSHADE / STEEL SHADE SUPPORT:



NOTE:

Manufacturer reserves the right to discontinue, or change at any time, specifications or designs without our incurring any obligation or liability. Bulbs not included.

TSUKI S 2_S

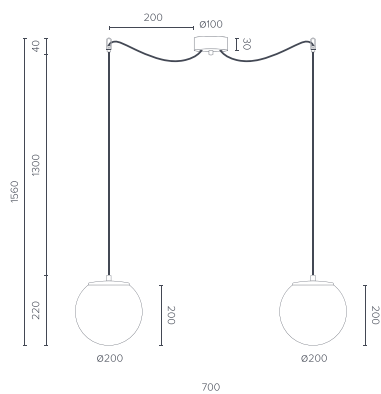
TECHNICAL INFORMATION

E-27 LED BULBS MAX. 2 x 24 W



For a complete legend of symbols used in the catalogue see page 170.

SILHOUETTE



AVAILABLE FINISH OPTIONS

STEEL CEILING ROSE:



black

white

CEILING MOUNTED PLASTIC CABLE CLAMPS:



black

white

²CEILING MOUNTED METAL CABLE CLAMPS:



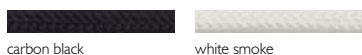
black

white

black

white

¹TEXTILE POWER CORD - STANDARD COLOURS:



carbon black

white smoke

¹For non-standard colours see page 169 - available at an extra charge.

²For optional version see page 169 - available at an extra charge.

GLASS LAMPSHADE / STEEL SHADE SUPPORT:



matte opal / black

matte opal / white

matte opal / copper leaves

matte opal / imitation gold leaves

matte opal / imitation silver leaves

NOTE:

Manufacturer reserves the right to discontinue, or change at any time, specifications or designs without our incurring any obligation or liability. Bulbs not included.

TSUKI S 3_S

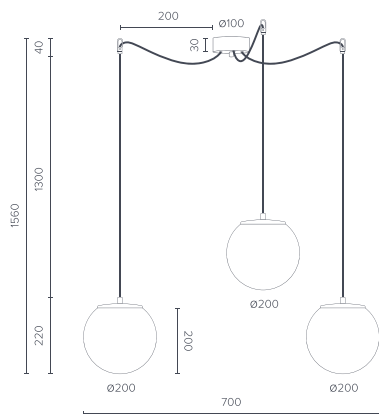
TECHNICAL INFORMATION

E-27 LED BULBS MAX. 3 x 24 W



For a complete legend of symbols used in the catalogue see page 170.

SILHOUETTE



AVAILABLE FINISH OPTIONS

STEEL CEILING ROSE:



black

white

CEILING MOUNTED PLASTIC CABLE CLAMPS:



black

white

²CEILING MOUNTED METAL CABLE CLAMPS:



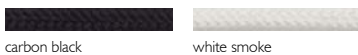
black

white

black

white

¹TEXTILE POWER CORD - STANDARD COLOURS:



carbon black

white smoke

¹For non-standard colours see page 169 - available at an extra charge.

²For optional version see page 169 - available at an extra charge.

GLASS LAMPSHADE / STEEL SHADE SUPPORT:



matte opal / black

matte opal / white

matte opal /
copper leaves

matte opal /
imitation gold leaves

matte opal /
imitation silver leaves

NOTE:

Manufacturer reserves the right to discontinue, or change at any time, specifications or designs without our incurring any obligation or liability. Bulbs not included.

TSUKI M I _ S

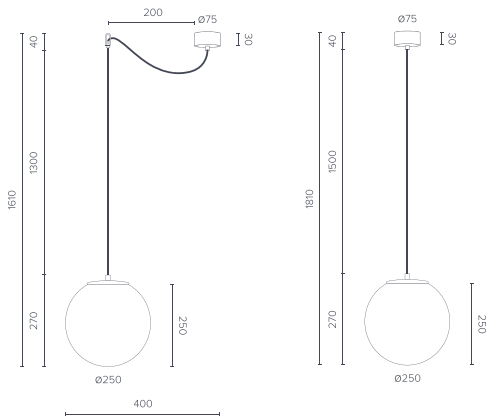
TECHNICAL INFORMATION

E-27 LED BULB MAX. 1 x 24 W



For a complete legend of symbols used in the catalogue see page 170.

SILHOUETTE



AVAILABLE FINISH OPTIONS

STEEL CEILING ROSE:



black white

CEILING MOUNTED PLASTIC CABLE CLAMPS:



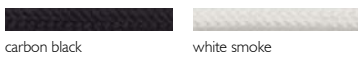
black white

²CEILING MOUNTED METAL CABLE CLAMPS:



black white black white

¹TEXTILE POWER CORD - STANDARD COLOURS:



carbon black white smoke

¹For non-standard colours see page 169 - available at an extra charge.

²For optional version see page 169 - available at an extra charge.

GLASS LAMPSHADE / STEEL SHADE SUPPORT:



NOTE:
Manufacturer reserves the right to discontinue, or change at any time, specifications or designs without our incurring any obligation or liability. Bulbs not included.

TSUKI M 2_S

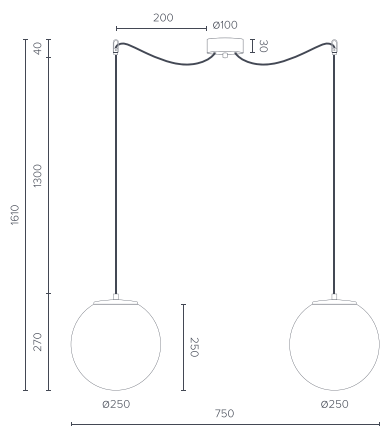
TECHNICAL INFORMATION

E-27 LED BULBS MAX. 2 x 24 W



For a complete legend of symbols used in the catalogue see page 170.

SILHOUETTE



AVAILABLE FINISH OPTIONS

STEEL CEILING ROSE:



black

white

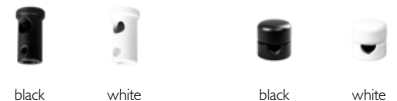
CEILING MOUNTED PLASTIC CABLE CLAMPS:



black

white

²CEILING MOUNTED METAL CABLE CLAMPS:



black

white

black

white

¹TEXTILE POWER CORD - STANDARD COLOURS:



carbon black

white smoke

¹For non-standard colours see page 169 - available at an extra charge.

²For optional version see page 169 - available at an extra charge.

GLASS LAMPSHADE / STEEL SHADE SUPPORT:



matte opal / black

matte opal / white

matte opal /
copper leaves

matte opal /
imitation gold leaves

matte opal /
imitation silver leaves

NOTE:

Manufacturer reserves the right to discontinue, or change at any time, specifications or designs without our incurring any obligation or liability. Bulbs not included.

TSUKI M 3_S

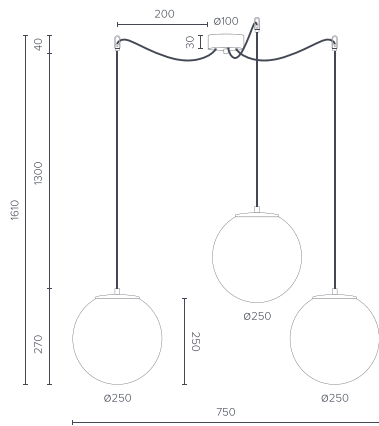
TECHNICAL INFORMATION

E-27 LED BULBS MAX. 3 x 24 W



For a complete legend of symbols used in the catalogue see page 170.

SILHOUETTE



AVAILABLE FINISH OPTIONS

STEEL CEILING ROSE:



black

white

CEILING MOUNTED PLASTIC CABLE CLAMPS:



black

white

²CEILING MOUNTED METAL CABLE CLAMPS:



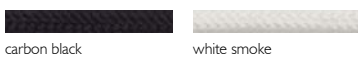
black

white

black

white

¹TEXTILE POWER CORD - STANDARD COLOURS:



carbon black

white smoke

¹For non-standard colours see page 169 - available at an extra charge.

²For optional version see page 169 - available at an extra charge.

GLASS LAMPSHADE / STEEL SHADE SUPPORT:



matte opal / black

matte opal / white

matte opal / copper leaves

matte opal / imitation gold leaves

matte opal / imitation silver leaves

NOTE:

Manufacturer reserves the right to discontinue, or change at any time, specifications or designs without our incurring any obligation or liability. Bulbs not included.

TSUKI L I _ S

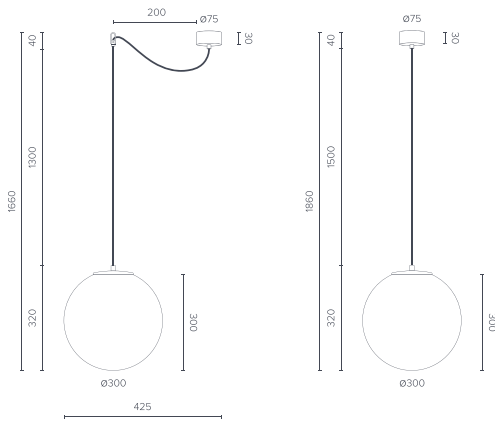
TECHNICAL INFORMATION

E-27 LED BULB MAX. 1 x 24 W



For a complete legend of symbols used in the catalogue see page I 70.

SILHOUETTE



AVAILABLE FINISH OPTIONS

STEEL CEILING ROSE:



black white

CEILING MOUNTED PLASTIC CABLE CLAMPS:



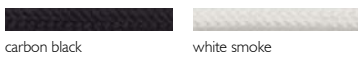
black white

²CEILING MOUNTED METAL CABLE CLAMPS:



black white black white

¹TEXTILE POWER CORD - STANDARD COLOURS:



carbon black white smoke

¹For non-standard colours see page I 69 - available at an extra charge.

²For optional version see page I 69 - available at an extra charge.

GLASS LAMPSHADE / STEEL SHADE SUPPORT:



matte opal / black matte opal / white



matte opal / copper leaves matte opal / imitation gold leaves matte opal / imitation silver leaves

NOTE:

Manufacturer reserves the right to discontinue, or change at any time, specifications or designs without our incurring any obligation or liability. Bulbs not included.

TSUKI L 2_S

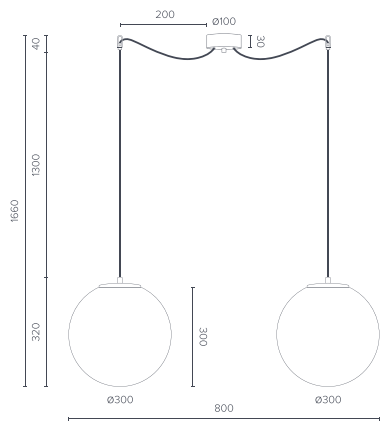
TECHNICAL INFORMATION

E-27 LED BULBS MAX. 2 x 24 W



For a complete legend of symbols used in the catalogue see page 170.

SILHOUETTE



AVAILABLE FINISH OPTIONS

STEEL CEILING ROSE:



black

white

CEILING MOUNTED PLASTIC CABLE CLAMPS:



black

white

²CEILING MOUNTED METAL CABLE CLAMPS:



black

white

black

white

¹TEXTILE POWER CORD - STANDARD COLOURS:



carbon black

white smoke

¹For non-standard colours see page 169 - available at an extra charge.

²For optional version see page 169 - available at an extra charge.

GLASS LAMPSHADE / STEEL SHADE SUPPORT:



matte opal / black

matte opal / white



matte opal /
copper leaves

matte opal /
imitation gold leaves

matte opal /
imitation silver leaves

NOTE:

Manufacturer reserves the right to discontinue, or change at any time, specifications or designs without our incurring any obligation or liability. Bulbs not included.

TSUKI MIX 3_S

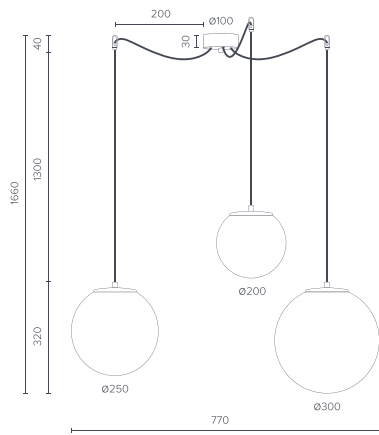
TECHNICAL INFORMATION

E-27 LED BULBS MAX. 3 x 24 W



For a complete legend of symbols used in the catalogue see page 170.

SILHOUETTE



AVAILABLE FINISH OPTIONS

STEEL CEILING ROSE:



black

white

CEILING MOUNTED PLASTIC CABLE CLAMPS:



black

white

²CEILING MOUNTED METAL CABLE CLAMPS:



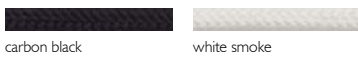
black

white

black

white

¹TEXTILE POWER CORD - STANDARD COLOURS:



carbon black

white smoke

¹For non-standard colours see page 169 - available at an extra charge.

²For optional version see page 169 - available at an extra charge.

GLASS LAMPSHADE / STEEL SHADE SUPPORT:

S



matte opal / black

matte opal / white



matte opal /
copper leaves

matte opal /
imitation gold leaves

matte opal /
imitation silver leaves

M



matte opal / black

matte opal / white



matte opal /
copper leaves

matte opal /
imitation gold leaves

matte opal /
imitation silver leaves

L



matte opal / black

matte opal / white



matte opal /
copper leaves

matte opal /
imitation gold leaves

matte opal /
imitation silver leaves

NOTE:

Manufacturer reserves the right to discontinue, or change at any time, specifications or designs without our incurring any obligation or liability. Bulbs not included.

TSUKI MIX 5_S

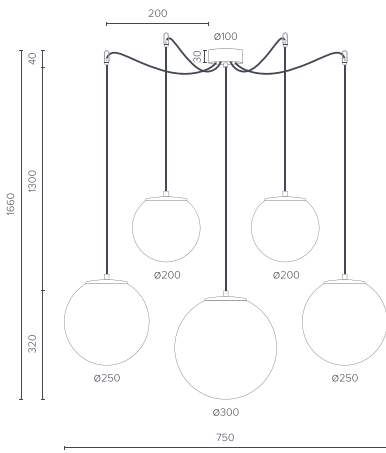
TECHNICAL INFORMATION

E-27 LED BULBS MAX. 5 x 24 W



For a complete legend of symbols used in the catalogue see page 170.

SILHOUETTE



AVAILABLE FINISH OPTIONS

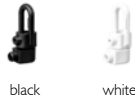
STEEL CEILING ROSE:



black

white

CEILING MOUNTED PLASTIC CABLE CLAMPS:



black

white

²CEILING MOUNTED METAL CABLE CLAMPS:



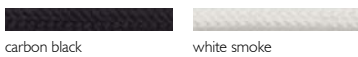
black

white

black

white

¹TEXTILE POWER CORD - STANDARD COLOURS:



carbon black

white smoke

¹For non-standard colours see page 169- available at an extra charge.

²For optional version see page 169- available at an extra charge.

GLASS LAMPSHADE / STEEL SHADE SUPPORT:

S



matte opal / black

matte opal / white



matte opal /
copper leaves

matte opal /
imitation gold leaves

matte opal /
imitation silver leaves

M



matte opal / black

matte opal / white



matte opal /
copper leaves

matte opal /
imitation gold leaves

matte opal /
imitation silver leaves

L



matte opal / black

matte opal / white



matte opal /
copper leaves

matte opal /
imitation gold leaves

matte opal /
imitation silver leaves

NOTE:

Manufacturer reserves the right to discontinue, or change at any time, specifications or designs without our incurring any obligation or liability. Bulbs not included.

TSURI



TSURI 3_C

TECHNICAL INFORMATION

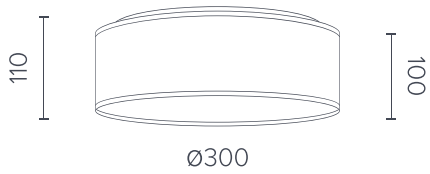
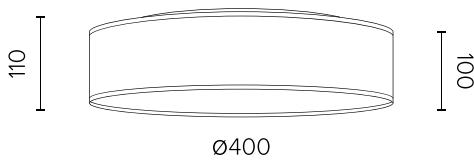
E-27 LED BULB MAX. 3 x 24 W



For a complete legend of symbols used in the catalogue see page 170.



SILHOUETTE



AVAILABLE FINISH OPTIONS

NATURAL WOOD VENEER / POLYPROPYLENE DIFFUSER:



oak



cherry



walnut



white beech

TSURI | CP

TECHNICAL INFORMATION

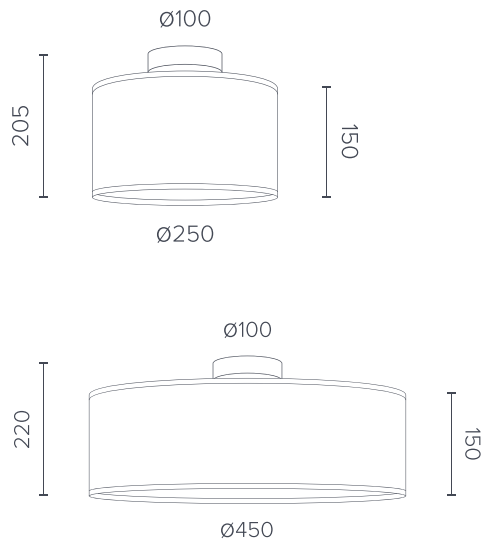
E-27 LED BULB MAX. 1 x 24 W



For a complete legend of symbols used in the catalogue see page 170.



SILHOUETTE



AVAILABLE FINISH OPTIONS

NATURAL WOOD VENEER:

S



oak

cherry

walnut

white beech

XL



oak

cherry

walnut

white beech

NOTE:

Manufacturer reserves the right to discontinue, or change at any time, specifications or designs without our incurring any obligation or liability. Bulbs not included.

TSURI XL I_S

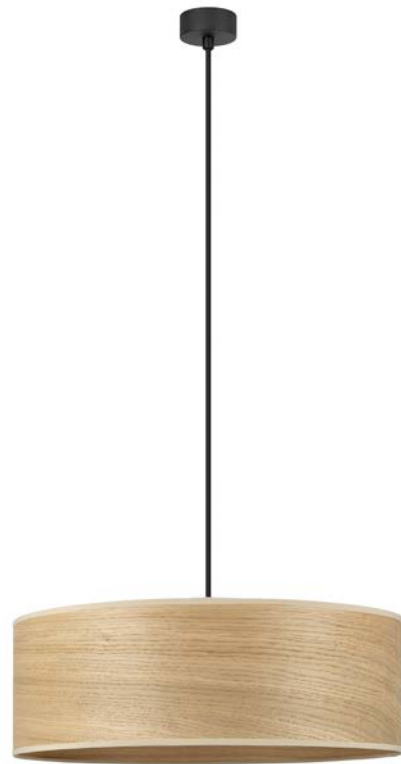
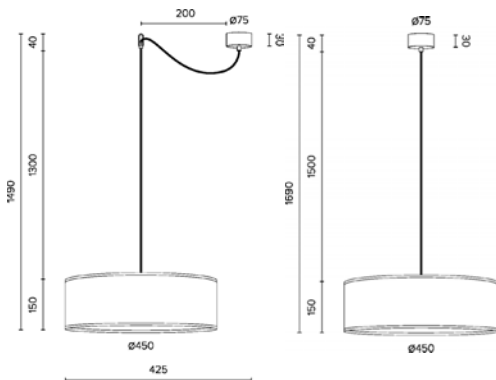
TECHNICAL INFORMATION

E-27 LED BULB MAX. 1 x 24 W



For a complete legend of symbols used in the catalogue see page 170.

SILHOUETTE



AVAILABLE FINISH OPTIONS

STEEL CEILING ROSE:



black white

CEILING MOUNTED PLASTIC CABLE CLAMPS:



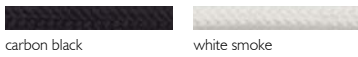
black white

²CEILING MOUNTED METAL CABLE CLAMPS:



black white black white

¹TEXTILE POWER CORD - STANDARD COLOURS:



carbon black

white smoke

¹For non-standard colours see page 169 - available at an extra charge.

²For optional version see page 169 - available at an extra charge.

NATURAL WOOD VENEER:



oak



cherry



walnut



white beech

NOTE:

Manufacturer reserves the right to discontinue, or change at any time, specifications or designs without our incurring any obligation or liability. Bulbs not included.

TSURI XL 2_S



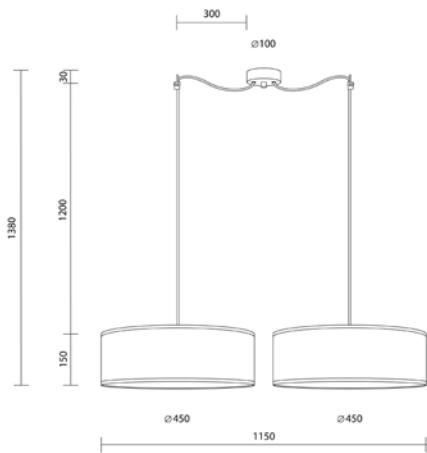
TECHNICAL INFORMATION

E-27 LED BULB MAX. 2 x 24 W



For a complete legend of symbols used in the catalogue see page 170.

SILHOUETTE



AVAILABLE FINISH OPTIONS

STEEL CEILING ROSE:



black

white

CEILING MOUNTED PLASTIC CABLE CLAMPS:



black

white

²CEILING MOUNTED METAL CABLE CLAMPS:



black

white

black

white

¹TEXTILE POWER CORD - STANDARD COLOURS:



carbon black

white smoke

¹For non-standard colours see page 169 - available at an extra charge.

²For optional version see page 169 - available at an extra charge.

NATURAL WOOD VENEER:



oak

cherry

walnut

white beech

NOTE:

Manufacturer reserves the right to discontinue, or change at any time, specifications or designs without our incurring any obligation or liability. Bulbs not included.

TSURI S I T



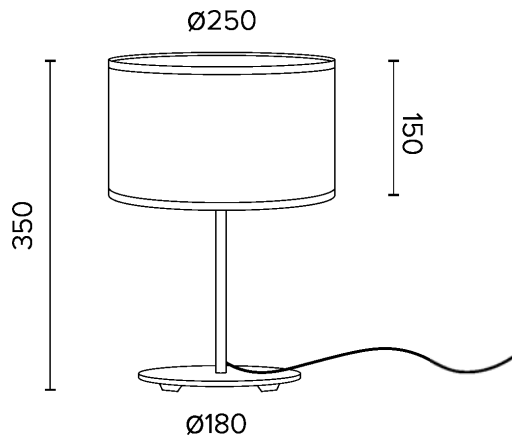
TECHNICAL INFORMATION

E-27 LED BULB MAX. 1 x 24 W



For a complete legend of symbols used in the catalogue see page 170.

SILHOUETTE



AVAILABLE FINISH OPTIONS

STEEL HARDWARE:



PVC POWER CORD:



NATURAL WOOD VENEER:



TSURI XL I_F

NOVELTY

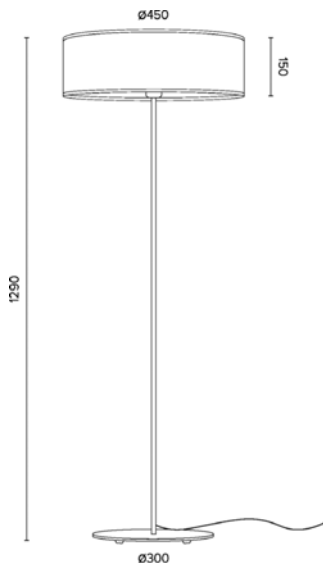
TECHNICAL INFORMATION

E-27 LED BULB MAX. 1 x 24 W



For a complete legend of symbols used in the catalogue see page 170.

SILHOUETTE



AVAILABLE FINISH OPTIONS

STEEL HARDWARE:



black

PVC POWER CORD:



transparent

NATURAL WOOD VENEER:



oak



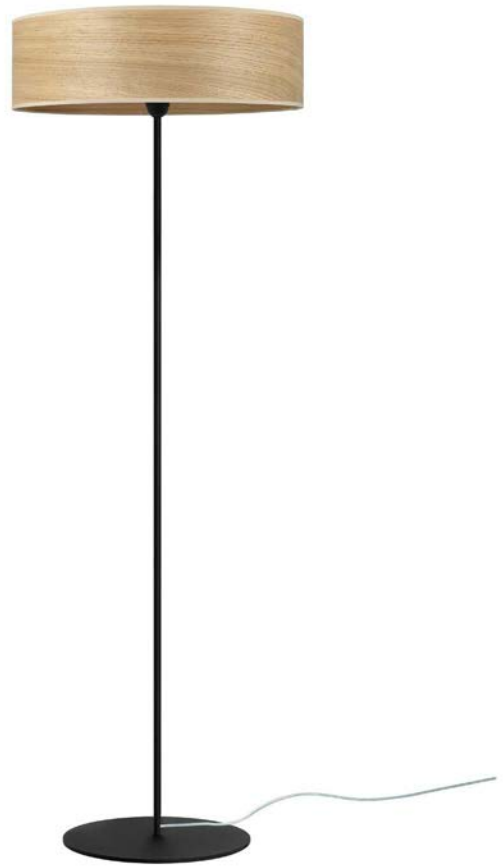
cherry



walnut



white beech



UMAI



NOTE:
Manufacturer resen

UMAIL 3_C



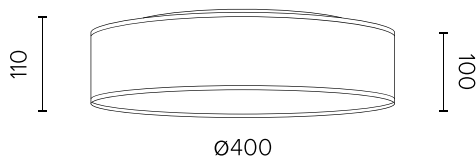
TECHNICAL INFORMATION

E-27 LED BULB MAX. 3 x 24 W



For a complete legend of symbols used in the catalogue see page 170.

SILHOUETTE



AVAILABLE FINISH OPTIONS

LAMINATED FABRIC / POLYPROPYLENE DIFFUSER:



black



mustard

Manufacturer reserves the right to discontinue, or change at any time, specifications or designs without our incurring any obligation or liability. Bulbs not included.

UMAI | _CP, 3_CP



TECHNICAL INFORMATION

S |_CP - E-27 LED BULB MAX. 1 x 24 W

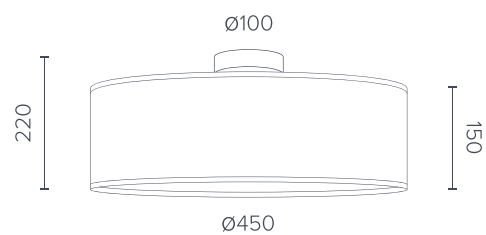
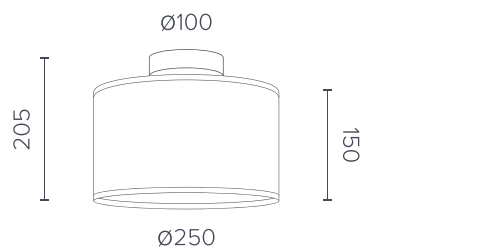
XL 3_CP - E-27 LED BULB MAX. 3 x 24 W



For a complete legend of symbols used in the catalogue see page 170.



SILHOUETTE



AVAILABLE FINISH OPTIONS

LAMINATED FABRIC:

S



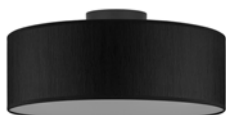
black



mustard

LAMINATED FABRIC / POLYPROPYLENE DIFFUSER:

XL



black



mustard

UMAI XL I_S

NOVELTY

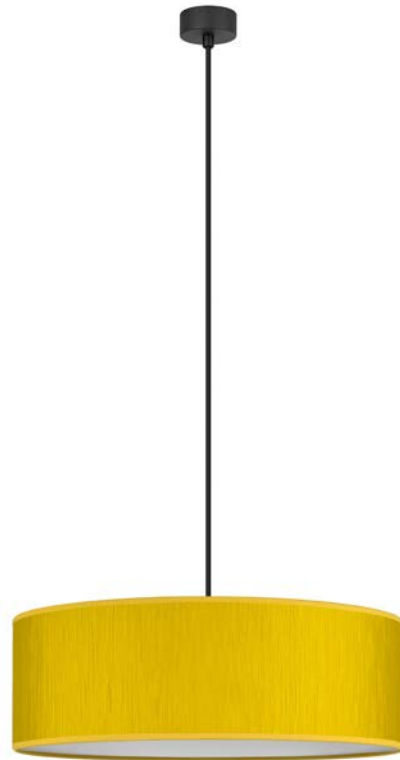
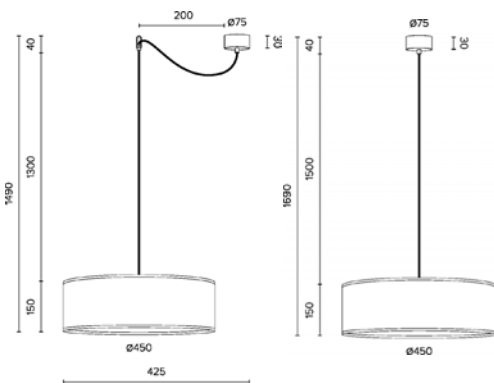
TECHNICAL INFORMATION

E-27 LED BULB MAX. 1 x 24 W



For a complete legend of symbols used in the catalogue see page 170.

SILHOUETTE



AVAILABLE FINISH OPTIONS

STEEL CEILING ROSE:



black white

CEILING MOUNTED PLASTIC CABLE CLAMPS:



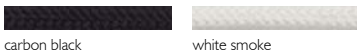
black white

²CEILING MOUNTED METAL CABLE CLAMPS:



black white black white

¹TEXTILE POWER CORD - STANDARD COLOURS:



carbon black

white smoke

¹For non-standard colours see page 169 - available at an extra charge.

²For optional version see page 169 - available at an extra charge.

LAMINATED FABRIC / POLYPROPYLENE DIFFUSER:



black

mustard

NOTE:

Manufacturer reserves the right to discontinue, or change at any time, specifications or designs without our incurring any obligation or liability. Bulbs not included.

UMAI XL 2_S



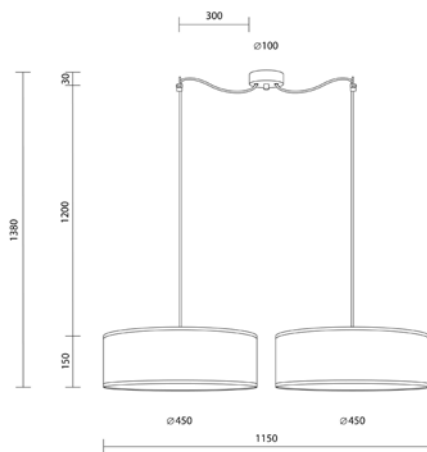
TECHNICAL INFORMATION

E-27 LED BULB MAX. 2 x 24 W



For a complete legend of symbols used in the catalogue see page 170.

SILHOUETTE



AVAILABLE FINISH OPTIONS

STEEL CEILING ROSE:



black

white

CEILING MOUNTED PLASTIC CABLE CLAMPS:



black

white

²CEILING MOUNTED METAL CABLE CLAMPS:



black

white

black

white

¹TEXTILE POWER CORD - STANDARD COLOURS:



carbon black

white smoke

¹For non-standard colours see page 169 - available at an extra charge.

²For optional version see page 169 - available at an extra charge.

LAMINATED FABRIC / POLYPROPYLENE DIFFUSER:



black

mustard

NOTE:

Manufacturer reserves the right to discontinue, or change at any time, specifications or designs without our incurring any obligation or liability. Bulbs not included.

UMAI S I T



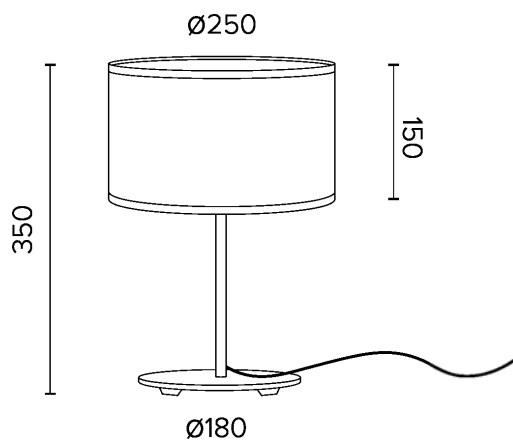
TECHNICAL INFORMATION

E-27 LED BULB MAX. 1 x 24 W



For a complete legend of symbols used in the catalogue see page 170.

SILHOUETTE



AVAILABLE FINISH OPTIONS

STEEL HARDWARE:



black

PVC POWER CORD:



transparent

LAMINATED FABRIC:



black



mustard

NOTE:
Manufacturer reserves the right to discontinue, or change at any time, specifications or designs without our incurring any obligation or liability. Bulbs not included.

UMAI XL I_F

NOVELTY

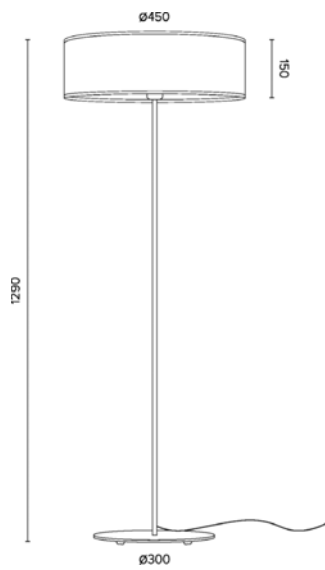
TECHNICAL INFORMATION

E-27 LED BULB MAX. 1 x 24 W



For a complete legend of symbols used in the catalogue see page 170.

SILHOUETTE



AVAILABLE FINISH OPTIONS

STEEL HARDWARE:



black

PVC POWER CORD:



transparent

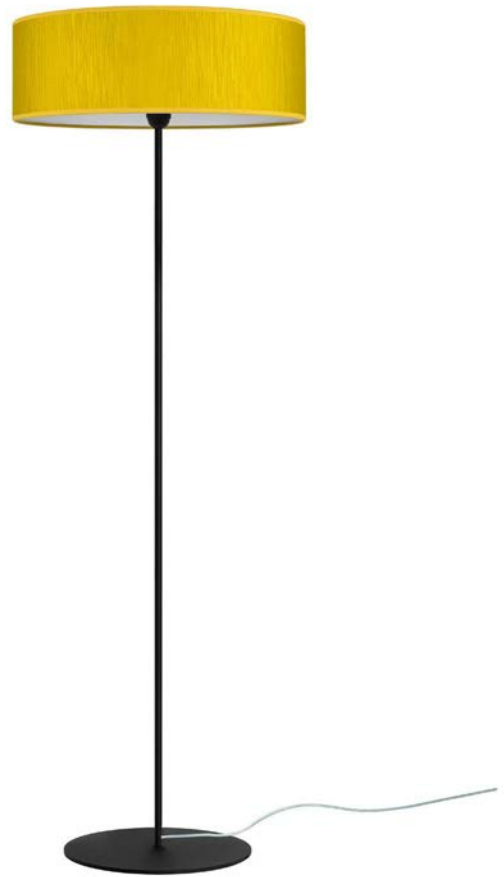
LAMINATED FABRIC:



black



mustard



UME



UME I_CP

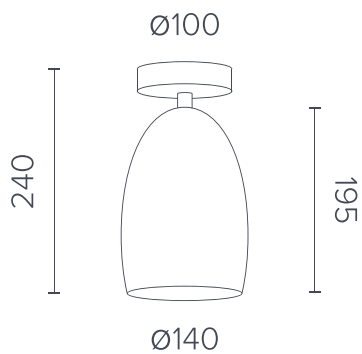
TECHNICAL INFORMATION

E-14 LED BULB MAX. 1 x 12 W



For a complete legend of symbols used in the catalogue see page 170.

SILHOUETTE



AVAILABLE FINISH OPTIONS

GLASS LAMPSHADE / STEEL HARDWARE:



glossy black



glossy opal



matte black



matte opal



copper leaves



imitation gold leaves



imitation silver leaves

NOTE:

Manufacturer reserves the right to discontinue, or change at any time, specifications or designs without our incurring any obligation or liability. Bulbs not included.

UME I_S

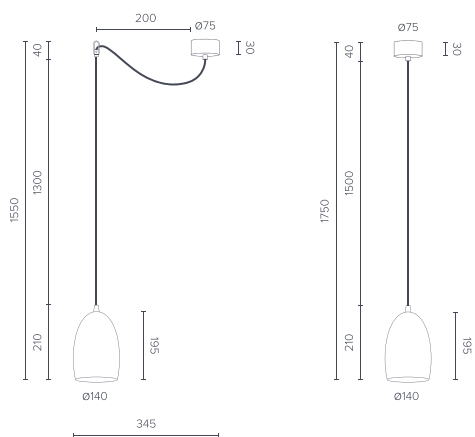
TECHNICAL INFORMATION

E-14 LED BULB MAX. 1 x 12 W



For a complete legend of symbols used in the catalogue see page 170.

SILHOUETTE



AVAILABLE FINISH OPTIONS

STEEL CEILING ROSE:



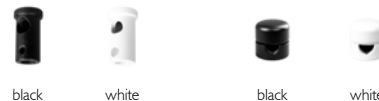
black white

CEILING MOUNTED PLASTIC CABLE CLAMPS:



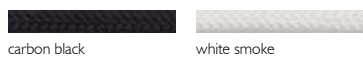
black white

²CEILING MOUNTED METAL CABLE CLAMPS:



black white black white

¹TEXTILE POWER CORD - STANDARD COLOURS:



carbon black white smoke

¹For non-standard colours see page 169 - available at an extra charge.

²For optional version see page 169 - available at an extra charge.

GLASS LAMPSHADE:



glossy black glossy opal matte black matte opal
copper leaves imitation gold leaves imitation silver leaves

NOTE:
Manufacturer reserves the right to discontinue, or change at any time, specifications or designs without our incurring any obligation or liability. Bulbs not included.

UME 3_S

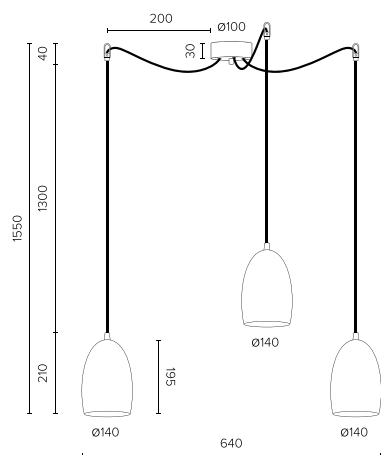
TECHNICAL INFORMATION

E-14 LED BULBS MAX. 3 x 12 W



For a complete legend of symbols used in the catalogue see page 170.

SILHOUETTE



AVAILABLE FINISH OPTIONS

STEEL CEILING ROSE:



black

white

CEILING MOUNTED PLASTIC CABLE CLAMPS:



black

white

²CEILING MOUNTED METAL CABLE CLAMPS:



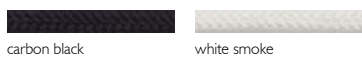
black

white

black

white

¹TEXTILE POWER CORD - STANDARD COLOURS:



carbon black

white smoke

¹For non-standard colours see page 169 - available at an extra charge.

²For optional version see page 169 - available at an extra charge.

GLASS LAMPSHADE:



glossy black

glossy opal

matte black

matte opal

copper leaves

imitation gold leaves

imitation silver leaves

NOTE:

Manufacturer reserves the right to discontinue, or change at any time, specifications or designs without our incurring any obligation or liability. Bulbs not included.

UME 5_S

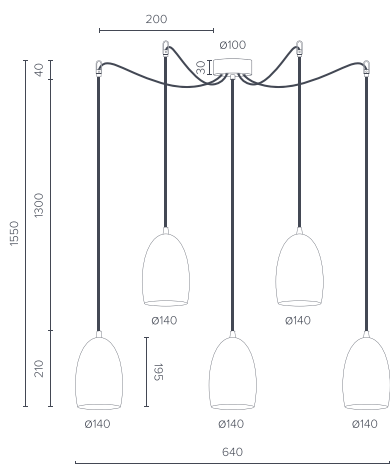
TECHNICAL INFORMATION

E-14 LED BULBS MAX. 5 x 12 W



For a complete legend of symbols used in the catalogue see page 170.

SILHOUETTE



AVAILABLE FINISH OPTIONS

STEEL CEILING ROSE:



black

white

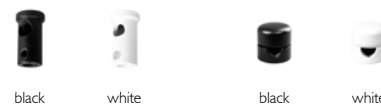
CEILING MOUNTED PLASTIC CABLE CLAMPS:



black

white

²CEILING MOUNTED METAL CABLE CLAMPS:



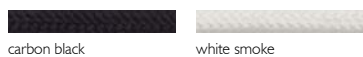
black

white

black

white

¹TEXTILE POWER CORD - STANDARD COLOURS:



carbon black

white smoke

¹For non-standard colours see page 169- available at an extra charge.

²For optional version see page 169- available at an extra charge.

GLASS LAMPSHADE:



glossy black

glossy opal

matte black

matte opal

copper leaves

imitation gold leaves

imitation silver leaves

NOTE:

Manufacturer reserves the right to discontinue, or change at any time, specifications or designs without our incurring any obligation or liability. Bulbs not included.

CEILING ROSE



75 mm ceiling rose
for 1_S pendants



100 mm ceiling rose
for 1_S pendants



100 mm ceiling rose
for 2_S pendants



100 mm ceiling rose
for 3_S pendants



100 mm ceiling rose
for 5_S pendants

CEILING MOUNTED ONE-PIECE METAL CABLE CLAMP



black



white



stainless steel

CEILING OR WALL MOUNTED TWO-PIECE METAL CABLE CLAMP



black



white



nickel



copper



brass

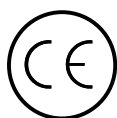
POWER CORDS



NOTE:

Manufacturer reserves the right to discontinue, or change at any time, specifications or designs without our incurring any obligation or liability. Bulbs not included.

COMPLETE LEGEND OF SYMBOLS USED IN THE CATALOGUE



Product compliant with EU legislation



Class I appliance



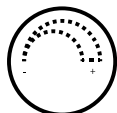
Product protected against the intrusion of moisture and solid bodies



WEEE registered producer



Product compatible with energy-efficient LED light sources



Dimmable light fitting (if used with an adequate light source)



Maximum voltage

TYPE OF FITTINGS

I_S	Single pendant light
I_SM	Swag pendant light
2_S	Double pendant light
3_S	Triple pendant light
5_S	Quintuple pendant light
3_C	Flush ceiling light
I_CP	Semi flush ceiling light
3_CP	Semi flush ceiling light
I_W	Wall light
I_F	Floor lamp
I_T	Table lamp

NOTE:
Manufacturer reserves the right to discontinue, or change at any time, specifications or designs without our incurring any obligation or liability. Bulbs not included.

TERMS AND CONDITIONS OF SALES AND DELIVERY

Article 1 SUBJECT MATTER AND SCOPE OF APPLICATION OF REGULATIONS

1. These Terms and Conditions of Sales and Delivery (hereinafter referred to as Terms and Conditions) shall be legally binding with respect to the business activity performed by the Company within a framework of contractual relationships between the Company and the other party thereto. The contractual relationships include actions offered or taken by the Company with respect to the other party and involving sale or supply of products for the benefit of third parties whether being natural persons or carrying on business activity (hereinafter referred to as Contracting Party or Contracting Parties).
2. The Terms and Conditions shall, in particular, specify the principles for placing and receiving orders for products offered by the Company as well as rules for filing complaints, transferring products, as well as carrying out settlements with regard to sales and supplies performed by the Company.
3. The Terms and Conditions shall bind the other party in all circumstances, unless both the other party and the Company have jointly excluded application of the Terms and Conditions in a separate written agreement. Application of certain provisions of the Terms and Conditions may be excluded notwithstanding the fact that other provisions of the Terms and Conditions remain applicable.
4. Should any provision of the Terms and Conditions be amended or modified, the amendment or modification shall apply only to the contracts which have been concluded after the date of issue of the amended or modified Terms and Conditions unless a later date of their entry into force has been indicated in the said provision.

Article 2 DEFINITIONS

Wherever in the Terms and Conditions or any other documents issued based on the Terms and Conditions there is a mention of:

- 1) Company – it shall mean GDC spółka z ograniczoną odpowiedzialnością with its registered office in Szczecin, ul. Bagienna 36C, 70-772 Szczecin, a commercial company registered by the District Court Szczecin-Centrum in Szczecin 13th Business Division with No. KRS 0000317676 and tax identification No. VAT-EU PL8513073244;
- 2) Contracting Party - it shall mean a natural person, legal person or organizational unit having no legal personality placing orders for products offered by the Company or commissioning the manufacturing of products, irrespective of the scope and form of such order or commission;
- 3) Customer Advisor – it shall mean a person acting on behalf and for the benefit of the Company, representing the Company for the purpose of conclusion or execution by the Company of the contracts of sale or supply;
- 4) Merchandise – it shall mean standard merchandise, showroom samples and special (nontypical) merchandise being subject of the contract of sale executed by the Company;
- 5) Finished Goods - it shall mean standard goods, showroom samples and special (nontypical) goods being subject of the contract for supply executed by the Company;
- 6) Product – it shall mean both merchandise and finished goods;
- 7) User – it shall mean a person ultimately using products, including without limitation the Contracting Party.

Article 3 CONTRACT CONCLUSION

1. The contract of product sale or supply shall be deemed concluded between the Company and the Contracting Party after a written order placed by the Contracting Party has been acknowledged and accepted by the Company. The order shall be considered to be placed in writing always after it has been sent by fax or as an electronic file at the e-mail address: sales@sottoluce.com. The order shall be considered acknowledged and accepted after the order confirmation has been sent by fax or as an electronic file however an order referring to special (nontypical) merchandise, goods or showroom samples must meet additional requirements as specified in Article 3, paragraph 2. The Contracting Party shall be obliged to indicate in the order, in an articulate and unambiguous way, the following information:

- 1) designation of the Company and Contracting Party, including the addresses thereof and, in the case of the Contracting Party, also the telephone number of the person entitled to contact the Company on behalf of the Contracting Party;
 - 2) date of order placement;
 - 3) expected lead time;
 - 4) designation of the product name, series, code, size, manufacturer and quantity;
 - 5) designation of the manner of delivery.
2. The possibility and scope of sale of products constituting showroom samples or special (nontypical) merchandise or goods shall be agreed upon in advance with a Customer Advisor. Orders for such products should meet the requirements indicated in Article 3, paragraph 1, however, in respect of the information referred to in Article 3, paragraph 1, subparagraph 4, the Contracting Party shall be obliged to include in the order a detailed description of the size, color and shape of the product. The Contracting Party shall bear entire responsibility for the contents of the order for special (nontypical) merchandise or goods. The Contracting Party shall bear the burden of all mistakes occurring in the order and, in particular, of those referring to the size of special (nontypical) merchandise or goods. Therefore, such mistakes shall not constitute basis for a complaint.
3. Order acknowledgement and acceptance shall consist of an order confirmation being delivered to the Contracting Party by the Company in the form of fax or as an electronic file. It shall include a clause expressing both the acknowledgement by the Contracting Party of the text of the Terms and Conditions as well as the Contracting Party's consent to apply the Terms and Conditions within a framework of the contractual relationships with the Company. Should the Contracting Party fail to submit a written objection to the order confirmation within 2 (two) workdays from its receipt, the Terms and Conditions shall be considered accepted after the lapse of the two-day period.
4. The Company shall be represented by a Customer Advisor in all matters referring to contract conclusion, current contacts with the Contracting Party and any other activities related to order execution.
5. In what refers to order placement (for the purpose of contract conclusion), current contacts with the Company and any other activities involved in the order execution procedure, the Contracting Party may act in person or indicate a third party entitled to act on their behalf or for their benefit. The Contracting Party shall assume entire responsibility for acts performed by them or by the persons entitled to act on their behalf or for their benefit without or exceeding the scope of powers of attorney.
6. The contract may be concluded in a different manner than the one described in Article 3, paragraph 1, subparagraphs 1 to 5 above, upon mutual written agreement of the parties.

Article 4 CONTRACT EXECUTION

1. Owing to the specific manner of product manufacturing including i.a. mouth-blowing of glass, certain differences in size, color or shape may exist between the products delivered and the products presented on websites as well as in catalogs, leaflets, newsletters or other marketing materials, whether in printed or electronic format. The specific regulations providing for the possibility to file complaints based on such differences shall be included in the warranty card attached to the product.
2. Orders for products shall be executed by the Company in accordance with the contents of purchase orders submitted by the Contracting Party. Any doubts about the final shape, size and color of the products shall be settled according to the contents of the order. The Contracting Party shall not have the right to file complaints about the non-compliance of a product with the parameters required by them unless the parameters have been described in an express and articulate way in the order. The provision of Article 4, paragraph 1 shall accordingly apply.
3. The lead time shall be determined by the Company in the order confirmation. The lead time may depend upon the date of making the advance payment counted towards the price or making payment of the whole price by the Contracting Party.
4. The Contracting Party shall determine the manner of delivery in the order. The Contracting Party shall be free to select between collecting the products on their own and having the products delivered by the Company.
5. In the case where the Contracting Party decide to collect the products on their own, the Contracting Party or the person entitled by them to collect the products shall be obliged to verify, together with a Customer Advisor, whether: the products are consistent with the order, the packagings are not damaged, the products in the specific packagings are complete and have not been damaged. If the Contracting Party fail to lodge an objection with the Customer Advisor to the consistency of products with the order, state of the packagings, as well as product completeness and condition, the products shall be considered to be free of defects. The Customer Advisor is obliged to draw up a delivery protocol including all the objections. The said protocol shall then form basis for claims which may be lodged by the Contracting Party against the Company. Where the Contracting Party fail to lodge objections at the moment of products release, the risk of their damage or loss shall be transferred to the Contracting Party upon the release thereof. The Company shall have no liability for any damage or loss suffered as a result of inappropriate transportation of products by the Contracting Party or person the Contracting Party commissioned the transport of products to.
6. Where the Contracting Party decide to have the ordered products delivered by the Company, the Company shall specify in the order confirmation whether the delivery will be done by the Company or a forwarding agent cooperating with them. The Contracting Party shall be obliged to ensure availability of appropriate workforce and means enabling fast and efficient handling of products. The Contracting Party or person authorized by them to collect the products shall be obliged to verify whether: the products are consistent with the order, the packagings are not damaged, the products in the specific packagings are complete and have not been damaged. All objections shall be filed in writing and lodged with the driver employed by the Company or by the forwarding agent cooperating with the Company. If the Contracting Party fail to lodge objections with the driver to the consistency of products with the order, state of the packagings, as well as product completeness and condition, the products shall be considered to be free of defects. Where the Contracting Party fail to lodge with the driver objections at the moment of products release, the risk of their damage or loss shall be transferred to the Contracting Party upon the release thereof.
7. All goods supplied by the Company shall be accompanied by instructions of product installation and use. They should be installed in compliance with the instructions, i.e. in the manner enabling easy removal of product in the case where it becomes necessary to repair the product complained about or replace it by a free of defect one.
8. The Company shall reserve the right to product modifications and improvements without prior notice.

NOTE:

Manufacturer reserves the right to discontinue, or change at any time, specifications or designs without our incurring any obligation or liability. Bulbs not included.

Article 5 SETTLEMENTS

1. The price due to the Company for the sale of merchandise or supply of goods may be determined in the price list issued by the Company and binding at the time of order placement by the Contracting Party, in a customized offer submitted by the Company or in the form of a specific agreement between the Company and the Contracting Party. The price shall include the goods and services tax according to the rate. Unless it has been explicitly provided for in the price list, the prices of light fixtures shall not include the prices of light sources. The binding price shall be the price referred to in the order confirmation as issued by the Company.
2. The price determined in the manner specified in paragraph 1 above may be reduced by rebates, abatements and discounts if they have been granted by the Company to the Contracting Party. Rebates, abatements and discounts shall be considered granted if they have been disclosed by the Company in the order confirmation.
3. The manner and time of payment shall at any time be specified by the Company in the order confirmation.
4. The following forms of payment shall apply: by cash paid to a Customer Advisor, by cash paid on delivery, by credit card or bank transfer; irrespective of their form, all payments must be made in advance, prior to the release of products unless otherwise agreed upon between the Company and Contracting Party. The payment shall be effected in compliance with the legal provisions applicable to trade transactions in economic circulation.
5. The payment may be effected by set-off only when the Company have given their consent thereto unless the amount of debts claimed against the Company which had arisen or become demandable before the amount due to the Company (price) arose or became demandable respectively. Payment of the consideration due to the Company in a manner other than by cash paid to a Customer Advisor, by cash paid on delivery, by credit card or bank transfer cash or by set-off of the amounts due may be effected only upon prior consent of the Company.
6. The Company shall reserve the right to make performance of the first actions related to contract execution contingent upon the advance-payment to be made by the Contracting Party in the amount referred to by the Company in the order confirmation.
7. Where the amount of consideration or any other amount due has not been settled in spite of a reminder notice being issued, the Company shall be entitled to calculate interest accrued at a statutory rate and to demand immediate payment of all amounts due but not paid by the Contracting Party, whether demandable or not, as well as to request making an advance payment for all the commissioned work they agreed to perform unless the Contracting Party provide a material or personal security constituting a guarantee of payment of all the above-mentioned dues.
8. If the Contracting Party fail to observe the above-mentioned provisions, the Company shall enjoy the right to refuse to accept new orders from them, to withhold execution of the accepted orders which has already been initiated and to terminate the contract as well as to lodge compensation claims, including lost profits damages and interest claims.

Article 6 RESPONSIBILITY FOR CONTRACT EXECUTION

1. If, for reasons or attendant circumstances beyond their control, which they neither have been able to predict nor to prevent (force majeure), the Company fail to adhere to the lead time, they should be exempt from liabilities and their responsibility with respect to the Contracting Party. However, if the lead time becomes extended by more than 30 days, the Contracting Party shall enjoy the right to terminate the contract.
2. The possibility to lodge compensation or interest claims against the Company owing to their failure of or delay in contract execution shall be excluded in all cases where the subject at fault for the failure to adhere to or extension of lead time was other than the Company and the Company did not assume responsibility therefor.
3. The Company shall be obliged to immediately notify the Contracting Party of any temporary delays in order execution, the reasons therefor as well as of all cases of the Company's inability to execute the order. Where an obstacle to order execution is a temporary one, the contract execution shall be deferred by the period throughout which the obstacle existed. However, if the above-mentioned circumstances occur during a period of more than 30 days, each of the parties to the contract shall enjoy the right of contract termination without incurring liability for damage unless otherwise agreed upon by the parties.
4. If at the time of occurrence of an obstacle, whether ultimate or temporary, making it impossible for the Company to execute an order, the Company had already executed a part of the order, the Contracting Party shall be obliged to receive the executed part of the order upon terms agreed upon in advance.
5. Where the Contracting Party fail to receive or defer the receipt of a product after having been notified by the Company about their readiness to release it, the Company shall enjoy the right to demand that the Contracting Party incur the cost of safekeeping of the product. If the Contracting Party invoke the circumstances resulting from force majeure and provide evidence of their occurrence they shall not be kept responsible for the failure to receive the product or delay in receipt thereof.
6. The fact of lodging with the Company by the Contracting Party a complaint referring to the order placed by them, irrespective of the reason for which the complaint has been lodged, shall not exclude the Contracting Party from their liability to pay the Company the amounts due by them under the VAT invoice being questioned within the time limit specified there in.

Article 7 RESERVATION OF TITLE

Except to the extent contrary to applicable legal provisions, the Company shall reserve the title of ownership of the merchandise being subject-matter of the contract of sale and goods being subject-matter of the contract for supply until the total price is paid by the Contracting Party in full. The Contracting Party shall be obliged to release the products immediately upon the receipt of a request for such release issued by the Company.

Article 8 CLAIMS AND COMPLAINTS

1. The Company shall be held responsible for the quality of products they offer under the appropriate provisions regarding warranty and guarantee. The scope of responsibility shall exclude damage caused by the use of the product inconsistent with its labeling, mechanical damage to the product, damage caused by the lack of or inappropriate maintenance or cleaning of the product, damage caused by installation of the product inconsistent with instructions for product installation or by force majeure and resulting from normal wear and tear of the product's components.
2. The Company shall have no liability in respect of any damage resulting from installation of the product which was found to be inconsistent with instructions and making easy removal of the product impossible.
3. The complaints which have not been notified upon the receipt of the product in accordance with Article 4, paragraphs 5 and 6 shall be lodged with the Company in writing. The complaint shall be filed using a complaint form prepared by the Company and shall include:
 - a) details of the Contracting Party;
 - b) details of the product User;
 - c) detailed description of the product;
 - d) detailed description of the defect being complained against;
 - e) information whether a warranty claim is lodged by the Contracting Party or a guarantee claim is lodged by the User;
 - f) guarantee card if the User lodges a guarantee claim;
 - g) photocopy of a purchase document.
4. While filing a complaint, the User shall be obliged to produce to the Contracting Party the original copy of a purchase document.
5. While receiving a complaint, the Contracting Party shall examine the product and assess whether its condition complies with description of the defect. Any defect which has not been mentioned in the complaint form shall not be subject of the complaint.
6. Having received a complaint form, the Contracting Party shall be obliged to immediately notify the Company with a telephone call, fax or e-mail about the complaint.
7. A Customer Advisor shall collect both the product being subject of the complaint and the complaint form from the Contracting Party. Upon the receipt of the product, the Customer Advisor shall examine the product in order to decide whether its condition complies with the product description and description of the defect included in the complaint. In the case where divergences are found, the Customer Advisor shall draw up an appropriate non-conformance report including a list of all identified irregularities.
8. After having received from the Contracting Party the product together with the complaint form, the Company shall decide whether the complaint is justified. In the case of complaint acceptance, the Company shall remove defects and return the product to the Contracting Party.
9. The Company shall assume no responsibility for the potential loss of profits by the Contracting Party resulting from filing the complaint.

Article 9 FINAL PROVISIONS

1. The order, Terms and Conditions and order confirmation shall constitute all agreements and arrangements between the parties in respect of the matters included therein.
2. If any provision of the contract or Terms and Conditions is or becomes invalid, ineffective or unenforceable in whole or in part, all other provisions thereof shall remain valid, effective and enforceable and shall be treated as if the invalid, ineffective or unenforceable provision has never existed. In such case, the parties shall cooperate in good faith in order to mutually agree upon a valid, effective and enforceable provision which should inure to the benefit of the parties in a similar and equivalent manner as the invalid, ineffective or unenforceable provision did in respect of the amounts referred to therein.
3. All amendments and modifications to as well as improvements of both the contract and the Terms and Conditions shall require the written form and shall be signed by the authorized representatives of the parties, under pain of nullity.
4. All disputes shall first be attempted to be resolved in an amicable manner. Failing to reach an amicable solution may result in the dispute being brought before competent local courts at the Company's seat in accordance with the Terms and Conditions and applicable legal provisions.

NOTE:

Manufacturer reserves the right to discontinue, or change at any time, specifications or designs without our incurring any obligation or liability. Bulbs not included.

Publisher

SOTTO LUCE®

www.sottoluce.com
sales@sottoluce.com

copyright©2022 GDC sp z o.o. *All Rights Reserved*

April 2022

NOTE:
Colors may vary from actual samples